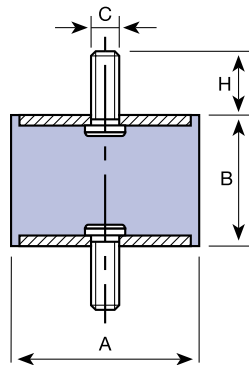




DAMPERS



AMC MECANOCAUCHO® BOBBINS TYPE A



Code	A	B	C	H	COMPRESSION		SHEAR		
					LOAD max. daN	DEFLECT. mm.	LOAD max. daN	DEFLECT. mm.	
MM AMC 120001	12,5	10	M-5	10	12	2	1,5	1,5	
MM AMC 120002		15			10	10	3	1,5	2
MM AMC 120003		20			8	3,5	1,5	4	
MM AMC 120011	16	10	M-5	12	20	1,5	2,5	1,5	
MM AMC 120012		15			20	3	2,5	2	
MM AMC 120013		20			15	4	2,5	4	
MM AMC 120014		25			15	5	2	5	
MM AMC 120021	20	8,5	M-6	16,5	40	1,5	5	1	
MM AMC 120022		15			35	4	5	2,5	
MM AMC 120023		20			30	5	5	3,5	
MM AMC 120024		25			30	5,5	4,5	4,5	
MM AMC 120025		30			25	7	4,5	4,5	

AMC MECANOCAUCHO® BOBBINS TYPE A

Code	A	B	C	H	COMPRESSION		SHEAR	
					LOAD max. daN	DEFLECT. mm.	LOAD max. daN	DEFLECT. mm.
MM AMC 120171	25,5	10	M-6	18	80	2	8	1,5
MM AMC 120172		15			60	3,5	8	2,5
MM AMC 120173		20			55	4,5	8	3,5
MM AMC 120174		25	50		6	8	4,5	
MM AMC 120175		30	50		8	8	6	
MM AMC 120026		10	M-8		20	80	2	8
MM AMC 120031	15	60		3,5		8	2,5	
MM AMC 120032	19	55		4,5		8	3,5	
MM AMC 120033	22	50		5,5		8	4	
MM AMC 120034	25	50		6		8	4,5	
MM AMC 120035	30	50		8		8	6	
MM AMC 120036	40	50	10	10	6			
MM AMC 120041	30	15	M-8	20	90	3	11	2,5
MM AMC 120042		22			80	5	11	4
MM AMC 120186		25			75	6,5	11	5
MM AMC 120043		30			70	8	11	6
MM AMC 120044		40			60	9	11	7,5
MM AMC 120193		20			M-8	20	160	5
MM AMC 120194	25	150	6	20			3,5	
MM AMC 120195	28	150	6	20			5,5	
MM AMC 120196	30	150	6	30			5,5	
MM AMC 120197	35	120	8	20			6,5	
MM AMC 120198	40	120	10	20			7,5	
MM AMC 120199	40	45	M-10	25	120	11	20	9
MM AMC 120051		20			160	5	20	3
MM AMC 120191		25			150	6	20	3,5
MM AMC 120052		28			150	6	20	5,5
MM AMC 120192		30			150	6	30	5,5
MM AMC 120053		35			120	8	20	6,5
MM AMC 120054	40	120	10	20	7,5			
MM AMC 120055	45	120	11	20	9			
MM AMC 120201	50	20	M-10	25	300	5	25	3,5
MM AMC 120061		25			300	6	25	4,5
MM AMC 120202		30			275	7	25	6,5
MM AMC 120062		35			250	8	25	7
MM AMC 120203		40			210	10	25	8
MM AMC 120063		45			190	11	25	9
MM AMC 120204	50	170	11	25	10,5			
MM AMC 120064	60	150	11	25	12			
MM AMC 120071	60	25	M-10	25	400	6	30	4,5
MM AMC 120072		36			300	9	30	7
MM AMC 120073		45			250	11	30	9
MM AMC 120074		60			200	12	30	10
MM AMC 120081	70	35	M-10	25	450	8	35	6,5
MM AMC 120082		50			350	11	35	11
MM AMC 120083		60			300	12	35	13
MM AMC 120084		70			300	14	35	15

AMC MECANOCAUCHO® BOBBINS TYPE A

Code	A	B	C	H	COMPRESSION		SHEAR	
					LOAD max. daN	DEFLECT. mm.	LOAD max. daN	DEFLECT. mm.
MM AMC 120091	75	25	M-12	30	650	7	37	5
MM AMC 120092		40			500	9	37	7
MM AMC 120093		45			500	10	37	9
MM AMC 120094		55			450	11	37	11
MM AMC 120101	80	30	M-14	35	950	7	40	5
MM AMC 120102		40			600	9	40	7
MM AMC 120103		50			550	10	40	8
MM AMC 120104		55			550	11	40	9
MM AMC 120105		70			500	13	40	15
MM AMC 120106		75			450	14	40	16
MM AMC 120111	95	40	M-16	45	1.200	8	60	7
MM AMC 120112		55			1.000	11	60	8
MM AMC 120113		60			800	12	60	10
MM AMC 120114		75			700	13	60	14
MM AMC 120121	105	50	M-16	45	1.200	9	80	9
MM AMC 120122		75			1.000	13	80	14
MM AMC 120123		100			800	16	80	16
MM AMC 120131	120	50	M-16	45	1.500	9	100	9
MM AMC 120132		75			1.200	13	100	14
MM AMC 120133		100			1.000	16	100	16
MM AMC 120142		50			1.600	9	120	9
MM AMC 120143	130	75	M-16	45	1.450	13	120	14
MM AMC 120144		100			1.200	16	120	16
MM AMC 120151		50			1.800	9	140	9
MM AMC 120152	150	75	M-20	50	1.650	13	140	14
MM AMC 120153		100			1.400	16	140	16

AMC MECANOCAUCHO® BOBBINS

DESCRIPTION

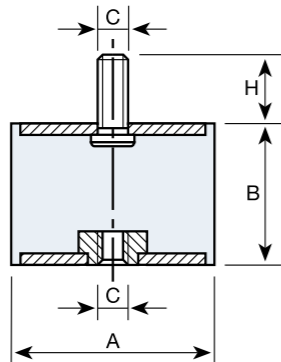
- blocks of rubber for making elastic anchorings or fixings;
- they can be used in a wide variety of applications for elastic suspensions and anti vibration insulation of machines and different mechanical organs;
- fixing either by screws in the "C" model (see page 6) or with nuts in the "A" model (see page 1) or a combination of both in the "B" model (see page 4).

OPERATION

- Greater elasticity in all the directions parallel to the armatures than in the perpendicular direction;
- more or less elasticity depending on the size of the rubber block;
- they make joins which permit major relative movements, up to several millimetres.



AMC MECANOCAUCHO® BOBBINS TYPE B



Code	A	B	C	H	COMPRESSION		SHEAR	
					LOAD max. daN	DEFLECT. mm.	LOAD max. daN	DEFLECT. mm.
MM AMC 121001	12,5	10	M-5	10	12	2	1,5	1,5
MM AMC 121002		15			10	3	1,5	2
MM AMC 121003		20			8	3,5	1,5	4
MM AMC 121011	16	10	M-5	12	20	1,5	2,5	1,5
MM AMC 121012		15			20	3	2,5	2
MM AMC 121013		20			15	4	2,5	4
MM AMC 121014	20	25	M-6	16,5	15	5	2	5
MM AMC 121022		15			35	2,5	5	2,5
MM AMC 121023		20			30	4,5	5	3,5
MM AMC 121024	25,5	25	M-6	18	30	5,5	4,5	4,5
MM AMC 121025		30			25	7	4,5	4,5
MM AMC 121172		15			60	2,5	8	2,5
MM AMC 121173	30	20	M-6	20	50	3,5	8	3,5
MM AMC 121174		25			50	6	8	4,5
MM AMC 121175		30			50	7,5	8	6
MM AMC 121031	30	15	M-8	20	60	3,5	8	2,5
MM AMC 121032		19			55	4,5	8	3,5
MM AMC 121033		22			50	3,5	8	4
MM AMC 121034	40	25	M-8	20	50	5	8	4,5
MM AMC 121035		30			50	7,5	8	6
MM AMC 121036		40			50	10	10	6
MM AMC 121041	40	15	M-8	20	90	3	11	2,5
MM AMC 121042		22			80	4,5	11	4
MM AMC 121186		25			75	6,5	11	5
MM AMC 121043	40	30	M-8	20	70	7,5	11	6
MM AMC 121044		40			60	9	11	7,5
MM AMC 121193		20			160	4	20	3
MM AMC 121194	40	25	M-8	20	150	4,5	20	3,5
MM AMC 121195		28			150	5	20	5,5
MM AMC 121196		30			150	4,5	30	5,5
MM AMC 121197	40	35	M-8	20	120	7,5	20	6,5
MM AMC 121198		40			120	10	20	7,5
MM AMC 121199		45			120	11	20	9
MM AMC 121051	40	20	M-10	25	160	4	20	3
MM AMC 121191		25			150	4,5	20	3,5
MM AMC 121052		28			150	5	20	5,5
MM AMC 121192	40	30	M-10	25	150	6	30	5,5
MM AMC 121053		35			120	7,5	20	6,5
MM AMC 121054		40			120	10	20	7,5
MM AMC 121055	40	45	M-10	25	120	11	20	9



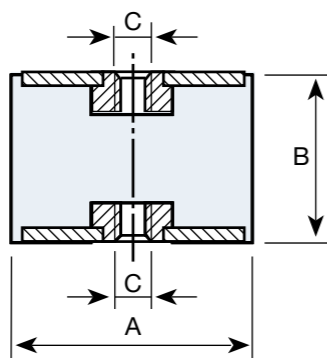
Code	A	B	C	H	COMPRESSION		SHEAR	
					LOAD max. daN	DEFLECT. mm.	LOAD max. daN	DEFLECT. mm.
MM AMC 121201	50	20	M-10	25	300	5	25	3,5
MM AMC 121061		25			300	6	25	4,5
MM AMC 121202		30			275	8	25	6,5
MM AMC 121062		35			250	8	25	7
MM AMC 121203		40			210	10	25	8
MM AMC 121063		45			190	11	25	9
MM AMC 121204		50			170	11	25	10,5
MM AMC 121064		60			150	11	25	12
MM AMC 121071	60	25	M-10	25	400	6	30	4,5
MM AMC 121072		36			300	8	30	7
MM AMC 121073		45			250	10	30	9
MM AMC 121074	70	60	M-10	25	200	12	30	10
MM AMC 121081		35			450	7,5	35	6,5
MM AMC 121082		50			350	10	35	11
MM AMC 121083	75	60	M-12	30	300	12	35	13
MM AMC 121084		70			300	14	35	15
MM AMC 121091		25			650	7	37	5
MM AMC 121092	80	40	M-14	35	500	9	37	7
MM AMC 121093		45			500	10	37	9
MM AMC 121094		55			450	11	37	11
MM AMC 121101	80	30	M-14	35	950	7	40	5
MM AMC 121102		40			600	7	40	7
MM AMC 121103		50			550	8	40	8
MM AMC 121104		55			550	9	40	9
MM AMC 121105		70			500	11	40	15
MM AMC 121106		75			450	12	40	16
MM AMC 121111	95	40	M-16	45	1.200	8	60	7
MM AMC 121112		55			1.000	10,5	60	8
MM AMC 121113		60			800	9	60	10
MM AMC 121114		75			700	11	60	14
MM AMC 121121	105	50	M-16	45	1.200	7	80	9
MM AMC 121122		75			1.000	9	80	14
MM AMC 121123		100			800	11	80	16
MM AMC 121131	120	50	M-16	45	1.500	9	100	9
MM AMC 121132		75			1.200	10,5	100	14
MM AMC 121133		100			1.000	11	100	16
MM AMC 121142	130	50	M-16	45	1.600	6	120	9
MM AMC 121143		75			1.450	8	120	14
MM AMC 121144		100			1.200	9	120	16
MM AMC 121151	150	50	M-20	50	1.800	5	140	9
MM AMC 121152		75			1.650	6	140	14
MM AMC 121153		100			1.400	8	140	16

TECHNICAL ASSISTANCE BY PHONE

+39 335 5785225 +39 339 6709546 +39 0184 573346 press #3



AMC MECANOCAUCHO® BOBBINS TYPE C



Code	A	B	C	COMPRESSION		SHEAR	
				LOAD max. daN	DEFLECT. mm.	LOAD max. daN	DEFLECT. mm.
MM AMC 122002	12,5	15	M-5	10	3	1,5	2
MM AMC 122003		20		8	3,5	1,5	4
MM AMC 122013	16	20	M-5	15	4	2,5	4
MM AMC 122014		25		15	5	2	5
MM AMC 122023	20	20	M-6	30	5	5	3,5
MM AMC 122024		25		30	5,5	4,5	4,5
MM AMC 122025		30		25	7	4,5	4,5
MM AMC 122173	25,5	20	M-6	55	4,5	8	3,5
MM AMC 122174		25		50	6	8	4,5
MM AMC 122175		30		50	8	8	6
MM AMC 122032	25,5	19	M-8	55	4,5	8	3,5
MM AMC 122033		22		50	5,5	8	4
MM AMC 122034		25		50	6	8	4,5
MM AMC 122035		30		50	8	8	6
MM AMC 122036		40		50	10	10	6
MM AMC 122042	30	22	M-8	80	5	11	4
MM AMC 122186		25		75	6,5	11	5
MM AMC 122043		30		70	8	11	6
MM AMC 122044		40		60	9	11	7,5
MM AMC 122194	40	25	M-8	150	6	20	3,5
MM AMC 122195		28		150	6	20	5,5
MM AMC 122196		30	M-8	150	6	30	5,5
MM AMC 122197		35		120	8	20	6,5
MM AMC 122198		40		120	10	20	7,5
MM AMC 122199		45		120	11	20	9
MM AMC 122052	40	28	M-10	150	6	20	5,5
MM AMC 122192		30		150	6	30	5,5
MM AMC 122053		35		120	8	20	6,5
MM AMC 122054		40		120	10	20	7,5
MM AMC 122055		45		120	11	20	9
MM AMC 122061	50	25	M-10	300	6	25	4,5
MM AMC 122202		30		275	7	25	6,5
MM AMC 122062		35		250	8	25	7
MM AMC 122203		40		210	10	25	8
MM AMC 122063		45		190	11	25	9
MM AMC 122204		50		170	11	25	10,5
MM AMC 122064		60		150	11	25	12



Code	A	B	C	COMPRESSION		SHEAR	
				LOAD max. daN	DEFLECT. mm.	LOAD max. daN	DEFLECT. mm.
MM AMC 122071	60	25	M-10	400	6	30	4,5
MM AMC 122072		36		300	9	30	7
MM AMC 122073		45		250	11	30	9
MM AMC 122074		60		200	12	30	10
MM AMC 122081	70	35	M-10	450	8	35	6,5
MM AMC 122082		50		350	11	35	11
MM AMC 122083		60		300	12	35	13
MM AMC 122084		70		300	14	35	15
MM AMC 122092	75	40	M-12	500	9	37	7
MM AMC 122093		45		500	10	37	9
MM AMC 122094		55		450	11	37	11
MM AMC 122101	80	30	M-14	950	7	40	5
MM AMC 122102		40		600	9	40	7
MM AMC 122103		50		550	10	40	8
MM AMC 122104		55		550	11	40	9
MM AMC 122105		70		500	13	40	15
MM AMC 122106		75		450	14	40	16
MM AMC 122111	95	40	M-16	1.200	8	60	7
MM AMC 122112		55		1.000	11	60	8
MM AMC 122113		60		800	12	60	10
MM AMC 122114		75		700	13	60	14
MM AMC 122122	105	50	M-16	1.200	9	80	9
MM AMC 122123		75		1.000	13	80	14
MM AMC 122124		100		800	16	80	16
MM AMC 122131	120	50	M-16	1.500	9	100	9
MM AMC 122132		75		1.200	13	100	14
MM AMC 122133		100		1.000	16	100	16
MM AMC 122142	130	50	M-16	1.600	9	120	9
MM AMC 122143		75		1.450	13	120	14
MM AMC 122144		100		1.200	16	120	16
MM AMC 122151	150	50	M-20	1.800	9	140	9
MM AMC 122152		75		1.650	13	140	14
MM AMC 122153		100		1.400	16	140	16

AMC MECANOCAUCHO® BOBBINS

APPLICATIONS

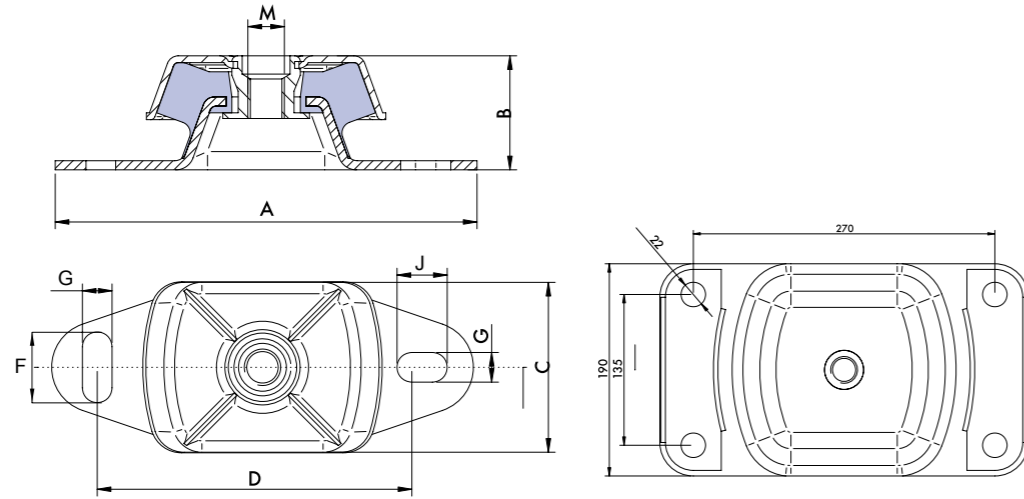
The AMC Mecanocaucho® bobbins are particularly suitable for installation on small motor-pumps, motor-ventilators, driers, sieves, compactors, washing machines, electrical motors, on-board control panels, measuring apparatuses, control cabinets, microphones, fluorescent tubes, other.

ADVANTAGES

- Easy to install.
- High elasticity (particularly transversal).
- Economical.



MARINE MOUNT



Tipo	A	B	C	D	F	G	J	M	AMC	Code 35 Sh	Code 40 Sh	Code 45 Sh	Code 55 Sh	Code 65 Sh	Code 75 Sh	Weight (g)
SMALL	120	38,5	60	100	14	11	14	M-12	Ref Load (kg)	*	136001 35	136002 45	136003 70	136004 95	136005 110	397
MEDIUM	183	50	75	140	30	13	20	M-16	Ref Load (kg)	136021 95	*	136022 120	136023 220	136024 280	136025 400	857
LARGE	228	68	112	182	34	18	26	M-20	Ref Load (kg)	*	*	136041 350	136042 525	136043 800	136044 1080	2250
XL	330	112	190	270	22	22	26	M-24	Ref Load (kg)	*	136061 *	950	136062 ^(A) 1400	136063 ^(B) 2200	136064 ^(C) 3000	9600

* Manufacture under request.
^(A) CODE 50 Sh / ^(B) CODE 60 Sh / ^(C) CODE 70 Sh

A wide variety of Mecanocaucho anti vibration and insulation mounts available upon request like trapezoid supports, annular and hydraulic mounts, mounts for heavy loads and many other.

Contact us at technical@mansuetomarine.it and ask for the complete Mecanocaucho catalogue.

Fleet of 16 VANS and LORRIES TO DELIVER EVERYWHERE IN THE SHORTEST TIME



MANSUETO MARINE



GAS SPRINGS



STAINLESS STEEL GAS SPRING EYE-EYE ALROSE



Fitted with eye terminals made of stainless steel with 8-mm bore. Fitted with air-relief valve designed to vary the reaction load.

Code	Open length mm	Stroke mm	Reaction kg*		Body Ø mm	Rod Ø mm
			from	to		
MM OSC 38.020.00	250	90	9	40	15	6
MM OSC 38.020.03	355	130	10	40	18	8
MM OSC 38.020.07	500	200	10	50	18	8
MM OSC 38.020.09	600	255	10	50	18	8
MM OSC 38.020.11	730	315	20	70	23	10
MM OSC 38.020.14	950	400	20	150	28	14

* State the kg required reaction.



STAINLESS STEEL GAS SPRINGS EYE EYE



AISI 316

Fitted with eye terminals with hole size 8mm.

Code	Open mm	Stroke mm	Response kg	Body mm	Ø Rod mm
MM OSC 38.009.00	250	90	5	15	6
MM OSC 38.009.01	250	90	10	15	6
MM OSC 38.009.03	250	90	18	15	6
MM OSC 38.009.04	355	130	12	18	8
MM OSC 38.009.05	355	130	18	18	8
MM OSC 38.009.07	355	130	30	18	8
MM OSC 38.009.09	500	210	14	18	8
MM OSC 38.009.11	500	210	20	18	8
MM OSC 38.009.12	500	210	30	18	8
MM OSC 38.009.15	500	210	40	18	8
MM OSC 38.009.17	600	255	20	18	8
MM OSC 38.009.18	600	255	30	18	8
MM OSC 38.009.19	600	255	40	18	8
MM OSC 38.009.23	700	300	25	22	10
MM OSC 38.009.24	700	300	35	22	10
MM OSC 38.009.25	700	300	45	22	10
MM OSC 38.009.27	900	380	45	22	10
MM OSC 38.009.29	900	380	60	22	10

Custom made gas springs can be manufactured on specific request.

Get in touch with our Technical Department at technical@mansuetomarine.it and ask for our "Gas Spring Order Form". Just return it to us duly filled up and we'll get back to you with our best quote.

www.mansuetomarine.it

OSCULATI

STAINLESS STEEL GAS SPRING WITH BALL HEAD



AISI 316

Code	Open mm	Closed mm	Stroke mm	Response kg	Body Ø mm	Rod Ø mm	Requested ball Ø
MM OSC 38.020.31	254	178	76	9	15	6	10
MM OSC 38.020.32	254	178	76	14	15	6	10
MM OSC 38.020.35	305	216	89	20	15	6	10
MM OSC 38.020.41	380	241	140	18	18	8	10
MM OSC 38.020.42	380	241	140	26	18	8	10
MM OSC 38.020.45	500	295	205	20	18	8	10
MM OSC 38.020.46	500	295	205	29	18	8	10
MM OSC 38.020.47	500	295	205	38	18	8	10
MM OSC 38.020.51	695	386	299	30	22	10	10
MM OSC 38.020.52	695	386	299	45	22	10	10
MM OSC 38.020.55 *	922	536	386	60	22	10	13

Composite ball terminals.

* Metal head, requires plates. Optional: 38.013.45; 38.013.47 Plates

OSCULATI

FASTENING PLATES, 90° VERSION



Code	A mm	B mm	C mm	Type	Version
MM OSC 38.013.01	30	50	30	standard	threaded pin 8 mm external
MM OSC 38.013.02	30	50	30	standard	threaded pin 8 mm internal
MM OSC 38.013.41	30	50	30	standard	ball Ø 10 mm external
MM OSC 38.013.42	30	50	30	standard	ball Ø 10 mm internal
MM OSC 38.013.03	30	50	30	standard	threaded pin size 8 mm, external, length 23 mm, only for gas springs 38.018.01/02
MM OSC 38.013.47	30	50	30	standard	ball Ø 13 mm external, for 38.020.55
MM OSC 38.013.23	25	35	25	compact	threaded pin 8 mm external
MM OSC 38.013.24	25	35	25	compact	ball Ø 10 mm external

OSCULATI

FASTENING PLATES, FLAT VERSION



Code	A mm	B mm	Type	Version
MM OSC 38.013.00	60	50	standard	threaded pin 8 mm
MM OSC 38.013.40	60	50	standard	ball Ø 10 mm
MM OSC 38.012.99	60	50	standard	threaded pin 8 mm, length 23 mm, only for gas springs 38.018.01; 38.018.02
MM OSC 38.013.45	60	50	standard	ball Ø 13, only for springs 38.020.51/52/53
MM OSC 38.013.20	45	35	compact	threaded pin 8 mm
MM OSC 38.013.21	45	35	compact	ball Ø 10 mm

INOX CABLES



INOX LINE - STANDARD LINE STAINLESS STEEL

Type	Description	Code	Cable Ø mm	Weight kg/mt	Wire Ø mm	Breaking load	
						Strength	
						1.470 N/mm ² kN	1.570 N/mm ² kN
<p>12+6+1 Type: 1x19 spiral</p>		MM TCF STD1X19SP-01	1	0,005	0,20	0,74	0,82
		MM TCF STD1X19SP-015	1,5	0,01	0,30	1,68	1,86
		MM TCF STD1X19SP-02	2	0,02	0,40	2,98	3,30
		MM TCF STD1X19SP-025	2,5	0,03	0,50	4,66	5,15
		MM TCF STD1X19SP-03	3	0,04	0,60	6,70	7,42
		MM TCF STD1X19SP-04	4	0,08	0,80	11,9	13,2
		MM TCF STD1X19SP-05	5	0,12	1,00	18,6	20,6
		MM TCF STD1X19SP-06	6	0,18	1,20	26,8	29,7
		MM TCF STD1X19SP-07	7	0,24	1,40	36,5	40,4
		MM TCF STD1X19SP-08	8	0,32	1,60	47,7	52,8
MM TCF STD1X19SP-10	10	0,50	2,00	74,5	82,5		
<p>7x(6+1) Type: 7x7</p>		MM TCF STD7X7-01	1	0,004	0,11	0,53	0,56
		MM TCF STD7X7-015	1,5	0,01	0,17	1,19	1,27
		MM TCF STD7X7-02	2	0,016	0,22	2,11	2,25
		MM TCF STD7X7-025	2,5	0,025	0,28	3,29	3,52
		MM TCF STD7X7-03	3	0,035	0,33	4,74	5,06
		MM TCF STD7X7-04	4	0,06	0,44	8,43	9,00
		MM TCF STD7X7-05	5	0,10	0,55	13,2	14,1
		MM TCF STD7X7-06	6	0,14	0,66	19,0	20,3
		MM TCF STD7X7-08	8	0,25	0,88	33,7	36,0
		MM TCF STD7X7-10	10	0,39	1,10	52,7	56,3
<p>7x(12+6+1) Type: 7x19</p>		MM TCF STD7X19-02	2	0,015	0,13	1,95	2,08
		MM TCF STD7X19-025	2,5	0,024	0,16	3,05	3,25
		MM TCF STD7X19-03	3	0,03	0,20	4,39	4,68
		MM TCF STD7X19-04	4	0,06	0,26	7,80	8,33
		MM TCF STD7X19-05	5	0,10	0,32	12,2	13,0
		MM TCF STD7X19-06	6	0,14	0,39	17,5	18,7
		MM TCF STD7X19-08	8	0,24	0,52	31,2	33,3
		MM TCF STD7X19-10	10	0,38	0,65	48,8	52,1
MM TCF STD7X19-12	12	0,55	0,78	70,3	75,0		
MM TCF STD7X19-14	14	0,75	0,91	95,6	102		
MM TCF STD7X19-16	16	0,97	1,04	124	133		



INOX LINE - SPECIAL LINE STAINLESS STEEL

Type	Description	Code	Cable Ø mm	Weight kg/mt	Wire Ø mm	Breaking load	
						Strength	
						1.470 N/mm ² kN	1.570 N/mm ² kN
<p>9+9+1 Compact Dyform Type: 1x19 Compact</p>		MM TCF SPE1X19COM-04	4	0,090			15,5
		MM TCF SPE1X19COM-05	5	0,150			24,2
		MM TCF SPE1X19COM-06	6	0,216			34,8
		MM TCF SPE1X19COM-07	7	0,289			47,3
		MM TCF SPE1X19COM-08	8	0,378			61,8
<p>6x(14+(7+7)+7+1) + IWRC Type: 6x36WS+IWRC</p>		MM TCF SPE6X36WSIWRC-16	16	1,070	0,91		143
		MM TCF SPE6X36WSIWRC-18	18	1,360	1,03		181
		MM TCF SPE6X36WSIWRC-20	20	1,670	1,14		221
<p>12+6+1 Plastic-coated Type: 1x19 PVC covered</p>		MM TCF SPE1X19PVC-4/6	4 int - 6 ext	0,09	0,80	11,9	13,2
<p>7x(6+1) Plastic-coated Type: 7x7 PVC covered</p>		MM TCF SPE7X7PVC-3/5	3 int - 5 ext	0,05	0,33	4,74	5,06
		MM TCF SPE7X7PVC-4/6	4 int - 6 ext	0,08	0,44	8,43	9,00
		MM TCF SPE7X7PVC-5/7	5 int - 7 ext	0,12	0,55	13,2	14,1

For your telephone orders +39 0184 573346 press #1

E-mail orders and estimates sales@mansuetomarine.it

Technicalsupport technical@mansuetomarine.it

Product Support & Data-Sheets service@mansuetomarine.it

General Inquiries info@mansuetomarine.it



LOCKINGS



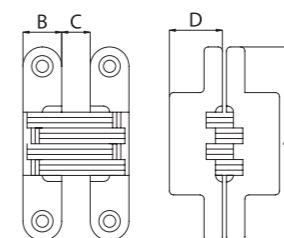
DOOR HOLDERS

Stainless steel shoot bolt.



Code	Size	Length	Height
MM OLC 1949A	A	230	20
MM OLC 1949B	B	260	20
MM OLC 1949C	C	300	20

Invisible hinges in brass and stainless steel.



Code	Size	a	b	c	d	e	Weight
MM OLC 3550A	A	95	19	13	27	52	320
MM OLC 3550B	B	117	25	18	37	65	700
MM OLC 3550C	C	70	15	10	22	34	150
MM OLC 3550D	D	60	12	9	18	31	100

Flexible neoprene sleeve magnetic door holder. Floor mounted. Light grey color.



Code	Length mm	Height mm
MM OLC 2955	45	50

Flexible neoprene sleeve magnetic door holder. Wall mounted. Light grey color.



Code	Size	Base Diam.	Height
MM OLC 2961A	A	42	34
MM OLC 2961B	B	54	43

Brass magnetic door holder. Polished or chrome plated brass. Satin finish on request.



Code	Base mm	Total height mm
MM OLC 2960	30 x 30	40

Brass magnetic door stop. Polished or chrome plated brass. Satin finish on request.



Code	Base mm	Total height mm
MM OLC 2963	45 x 25	37



DOOR HOLDERS

Brass magnetic swivel door holder.
Polished or chrome plated brass.
On request satin finish and gold plated.



Code	Base mm	Total height mm
MM OLC 2954	40 x 32	55

Stainless steel spring door holder with nylon keeper.



Code	Size	Base	Height
MM OLC 1743A	A	33 x 18	20
MM OLC 1743B	B	33 x 25	30
MM OLC 1743C	C	40 x 35	60

Spring door holder in brass with keeper.



Code	Base mm
MM OLC 1745	58 x 147

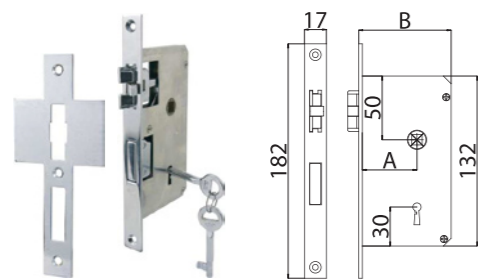
Plastic door holder in white.



Code	Diameter mm	Height mm
MM OLC 2957	40	20

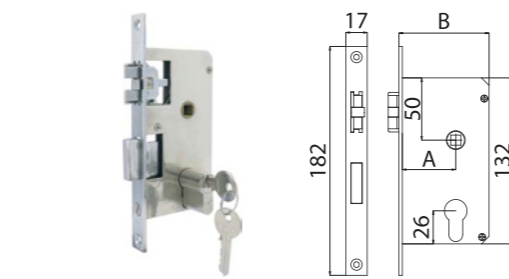


DOOR LOCKINGS



Antirattle mortise lock complete with flat striking plate.
Diecast brass and stainless steel springs.
Pictured left hand.
Faceplate mm 182 x 17
Box thickness mm 11

Code	Size	A	B
MM OLC 1651A	A	45	70
MM OLC 1651B	B	75	100

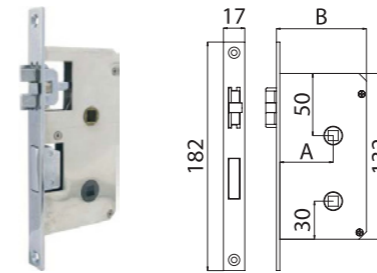


Antirattle mortise lock complete with cylinder and flat striking plate.
Diecast brass and stainless steel springs.
Supplied with cylinder length mm 45
On request cylinder mm 54, 60 or 70.
Pictured right hand
Faceplate mm 182 x 17
Box thickness mm 11

Code	Size	A	B
MM OLC 1653A	A	45	70
MM OLC 1653B	B	75	100

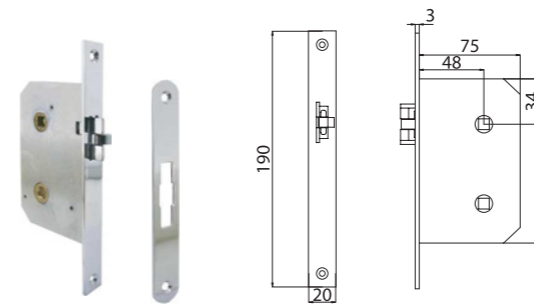


DOOR LOCKINGS



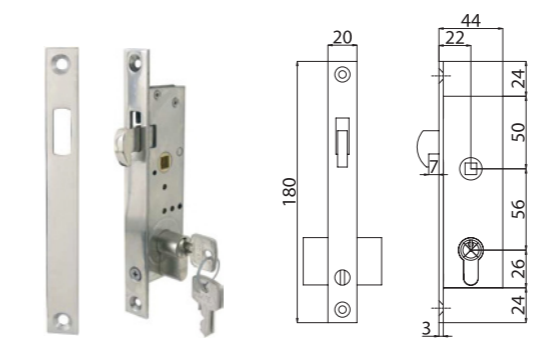
Antirattle mortise lock complete with turn thumbs and flat striking plate.
Diecast brass and stainless steel springs.
Pictured right hand
Faceplate mm 182 x 17
Box thickness mm 11

Code	Size	A	B
MM OLC 1654A	A	45	70
MM OLC 1654B	B	75	100



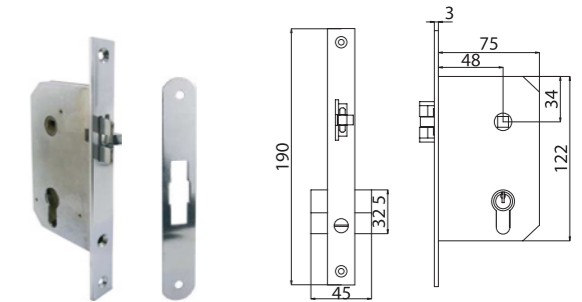
Antirattle mortise lock complete with turn thumbs and flat striking plate.
Diecast brass and stainless steel springs.
Faceplate mm 190 x 20
Box thickness mm 13
Offset mm 50

Code
MM OLC 1648



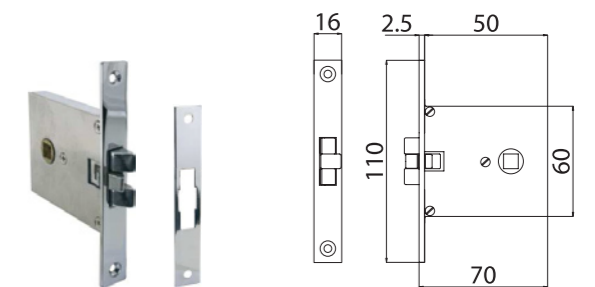
Doorlock in stainless steel for sliding doors.
Face plate mm 180 x 20
Box thickness mm 13
Box case mm 132 x 43
Offset mm 22
Cylinder length mm 54

Code
MM OLC 2073



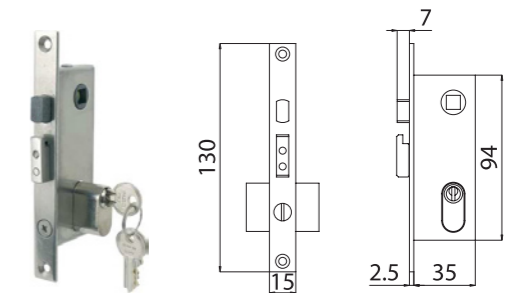
Antirattle mortise lock complete with cylinder and flat striking plate.
Diecast brass and stainless steel springs.
Faceplate mm 190 x 20
Box thickness mm 13

Code
MM OLC 1646



Reversible antirattle doorlocking.
Face plate mm 110 x 16
Box thickness mm 11
On request round faceplate.

Code
MM OLC 1655

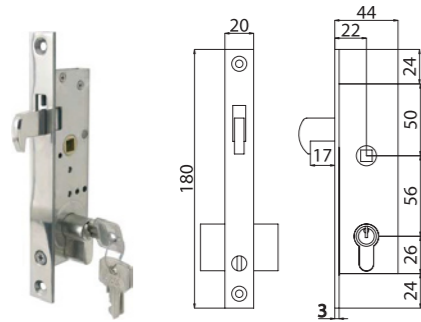


Stainless steel doorlock for sliding doors.
Supplied with oval cylinder.
Face plate mm 130 x 15
Box thickness mm 10
Box case mm 98 x 36
Offset mm 25

Code
MM OLC 2070



DOOR LOCKINGS



Stainless steel doorlock for sliding doors.
Stainless steel hook.
Face plate mm 180 x 20
Box thickness mm 13
Box case mm 132 x 43
Offset mm 22
Cylinder length mm 54

Code
MM OLC 2074



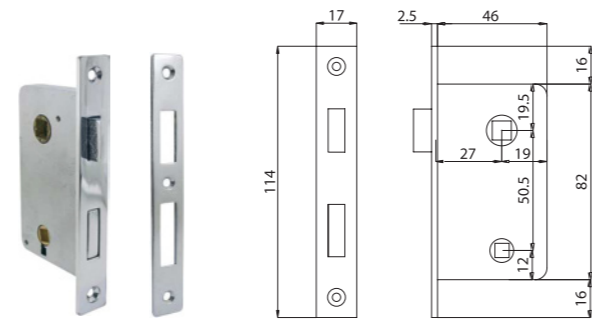
Doorlock for sliding doors.
Stainless steel hook.
Face plate mm 113 x 15
Offset mm 30
Box thickness mm 12
Box case mm 83 x 49
Cylinder length mm 42

Code
MM OLC 2072



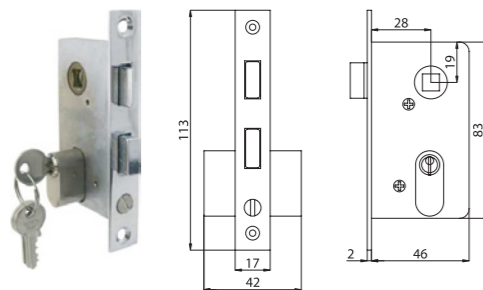
Brass mortise lock with key and flat striking plate.
Pictured left hand.
Face plate mm 113 x 18
Offset mm 28
Box case mm 83 x 46
Box thickness mm 10

Code
MM OLC 1151



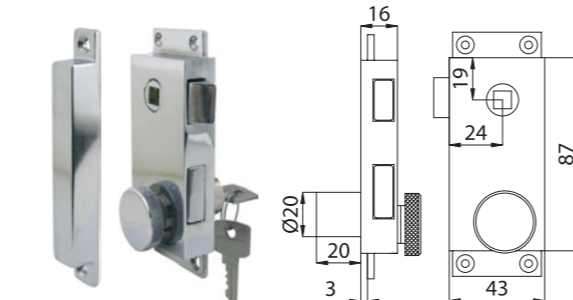
Brass mortise lock complete with turn thumbs and flat striking plate.
Diecast brass and stainless steel springs.
Pictured left hand
Face plate mm 113 x 15
Offset mm 28
Box thickness mm 10
Box case mm 83 x 46

Code
MM OLC 1149



Brass mortise lock complete with oval cylinders and flat striking plate.
Available in polished brass, chrome plated brass.
Diecast brass and stainless steel springs.
Pictured left hand
Face plate mm 113 x 15
Offset mm 28
Box thickness mm 10
Box case mm 83 x 46
Oval cylinder length mm 42

Code
MM OLC 1150

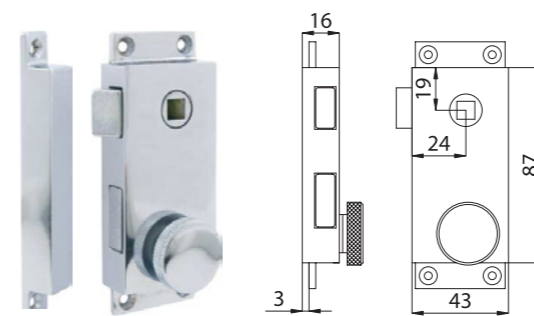


Brass rim lock with cylinder from outside and turn knob from inside.
Available in polished brass, chrome plated brass.
Diecast brass and stainless steel springs.
Pictured left hand
Cylinder Ø mm 20 length mm 20
On request length mm 25 - 30 - 35
Overall dimensions mm 110 x 43
Offset mm 23

Code
MM OLC 1536

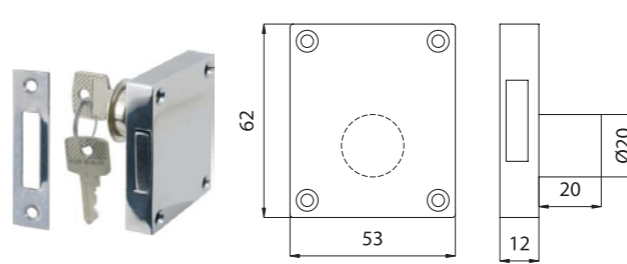


DOOR LOCKINGS



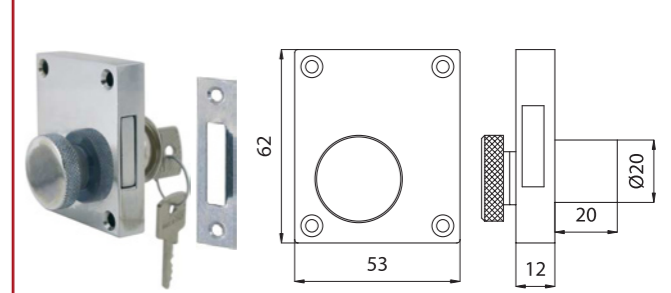
Brass rim lock with turn knob from inside.
Available in polished brass, chrome plated brass.
Diecast brass and stainless steel springs.
Pictured right hand
Overall dimensions mm 110 x 43
Offset mm 23

Code
MM OLC 2469



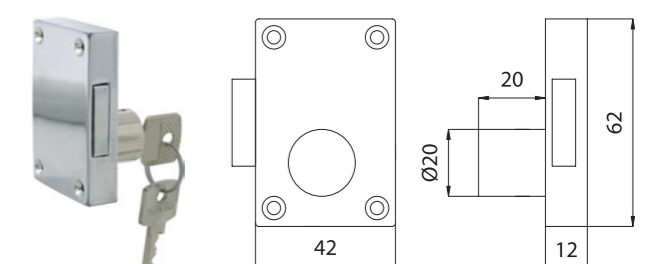
Brass mortise lock complete with flat striking plate.
Cylinder from outside.
Available in polished brass, chrome plated brass.
Diecast brass and stainless steel springs.
Cylinder Ø mm 20, length mm 20
On request length mm 25 - 30 - 35
Overall dimensions mm 62 x 53
Offset mm 23

Code
MM OLC 2565



Brass mortise lock complete with flat striking plate.
Cylinder from outside and turn thumbs from inside.
Available in polished brass, chrome plated brass.
Diecast brass and stainless steel springs.
Cylinder Ø mm 20, length mm 20
On request length mm 25 - 30 - 35
Overall dimensions mm 62 x 53
Offset mm 23

Code
MM OLC 2564



Brass mortise lock complete with flat striking plate.
Cylinder from outside.
Available in polished brass, chrome plated brass.
Diecast brass and stainless steel springs.
Cylinder Ø mm 20, length mm 20
On request length mm 25 - 30 - 35
Overall dimensions mm 61 x 42
Offset mm 23

Code
MM OLC 1633

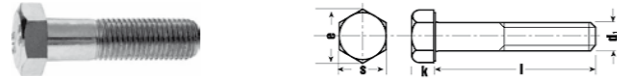
Wide selection of handles, knobs, latches, spindles, plates in different finishes, push button mechanisms and safes also available.

Some different brands we do distribute are:

NUTS, BOLTS & SCREWS

HEXAGON HEAD BOLT DIN 931

Available A2 and A4



d1	M5	M6	M8	M10	M12	M14	M16	M18	M20	M22
LENGTH										
25mm	•	•								
30mm	•	•	•							
35mm	•	•	•	•						
40mm	•	•	•	•	•					
45mm	•	•	•	•	•					
50mm	•	•	•	•	•	•	•			
55mm	•	•	•	•	•	•	•			
60mm	•	•	•	•	•	•	•	•	•	•
65mm		•	•	•	•	•	•	•	•	•
70mm	•	•	•	•	•	•	•	•	•	•
75mm		•	•	•	•	•	•	•	•	•
80mm	•	•	•	•	•	•	•	•	•	•
90mm		•	•	•	•	•	•	•	•	•
100mm		•	•	•	•	•	•	•	•	•

Other sizes available upon request (specify dimensions).

NUTS, BOLTS AND SCREWS How to order the correct item

Order Example:

Example of Allen Button Head Screw (DIN 7380) M4x60MM INOX A4

MM	INX	7380	04	060	04
Mansueto Marine	INOX	UNI/DIN (head identification)	M4 (Metric Thread size)	Thread length (in mm)	Material 04 if A4 INOX 02 if A2 INOX

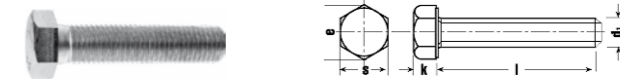
If DIN/UNI is a 3-number code then you have to put a "0" at the beginning of the code.

Example of Nylock nut (DIN 985) M8 INOX A2

MM	INX	0985	08	000	02
Mansueto Marine	INOX	UNI/DIN (head identification)	M8 (Metric Thread size)	No thread length	Material 04 if A4 INOX 02 if A2 INOX

HEXAGON HEAD SETSCREW DIN 933

Available A2 and A4



d1	M3	M4	M5	M6	M8	M10	M12	M14	M16	M18
LENGTH										
5mm	•									
6mm	•	•								
8mm	•	•	•	•						
10mm	•	•	•	•	•					
12mm	•	•	•	•	•	•				
16mm	•	•	•	•	•	•	•			
20mm	•	•	•	•	•	•	•		•	
25mm	•	•	•	•	•	•	•	•	•	
30mm	•	•	•	•	•	•	•	•	•	•
35mm		•	•	•	•	•	•	•	•	•
40mm		•	•	•	•	•	•	•	•	•
45mm		•	•	•	•	•	•	•	•	•
50mm		•	•	•	•	•	•	•	•	•
55mm			•	•	•	•	•	•	•	•
60mm			•	•	•	•	•	•	•	•
65mm				•	•	•	•	•	•	•
70mm				•	•	•	•	•	•	•
75mm				•	•	•	•	•	•	•
80mm				•	•	•	•	•	•	•
90mm				•	•	•	•	•	•	•
100mm				•	•	•	•	•	•	•

Other sizes available upon request (specify dimensions).

HEXAGON SOCKET HEAD CAPSCREW DIN 912

Available A2 and A4

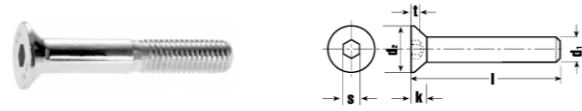


d1	M2.5	M3	M4	M5	M6	M8	M10	M12	M14	M16
LENGTH										
4mm	•									
5mm	•									
6mm	•	•	•							
8mm	•	•	•	•						
10mm	•	•	•	•	•					
12mm	•	•	•	•	•	•				
16mm	•	•	•	•	•	•	•			
20mm	•	•	•	•	•	•	•	•		
25mm		•	•	•	•	•	•	•	•	•
30mm		•	•	•	•	•	•	•	•	•
35mm				•	•	•	•	•	•	•
40mm			•	•	•	•	•	•	•	•
45mm				•	•	•	•	•	•	•
50mm				•	•	•	•	•	•	•
60mm				•	•	•	•	•	•	•
70mm				•	•	•	•	•	•	•
80mm				•	•	•	•	•	•	•
90mm				•	•	•	•	•	•	•
100mm				•	•	•	•	•	•	•
90mm				•	•	•	•	•	•	•
100mm				•	•	•	•	•	•	•

Other sizes available upon request (specify dimensions).

HEXAGON SOCKET COUNTERSUNK SCREW DIN 7991

Available A2 and A4

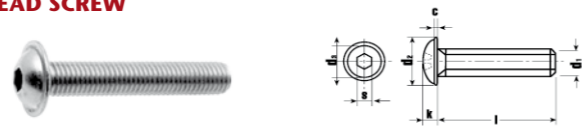


d1	M5	M6	M8	M10	M12	M16	M20
LENGTH							
8mm	●						
10mm	●						
12mm	●	●					
16mm	●	●	●	●			
20mm	●	●	●	●	●		
25mm	●	●	●	●	●	●	
30mm	●	●	●	●	●	●	
35mm	●	●	●	●	●	●	
40mm	●	●	●	●	●	●	
50mm	●	●	●	●	●	●	●
60mm		●	●	●	●	●	●
70mm		●	●	●	●	●	●
80mm		●	●	●	●	●	●
90mm		●	●	●	●	●	●
100mm		●	●	●	●	●	●

Other sizes available upon request (specify dimensions).

HEXAGON SOCKET FLANGE BUTTON HEAD SCREW

Available A2



d1	M5	M6	M8
LENGTH			
12mm	●	●	
16mm	●	●	●
20mm	●	●	●
25mm		●	●
30mm		●	●
45mm			●

Other sizes available upon request (specify dimensions).

HEXAGON FULL NUT DIN 934

Available A2 and A4

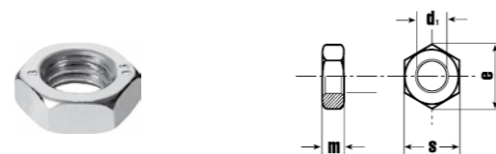


d1	M2	M2.5	M3	M3.5	M4	M5	M6	M8	M10	M12	M14	M16	M18	M20
----	----	------	----	------	----	----	----	----	-----	-----	-----	-----	-----	-----

Other sizes available upon request (specify dimensions).

HEXAGON LOCK (THIN) NUT DIN 439

Available A2 and A4



d1	M2.5	M3	M4	M5	M6	M8	M10	M12	M14	M16	M18	M20
----	------	----	----	----	----	----	-----	-----	-----	-----	-----	-----

Other sizes available upon request (specify dimensions).

SELF LOCKING NYLON INSERT NUT REGULAR TYPE T DIN 985

Available A2 and A4

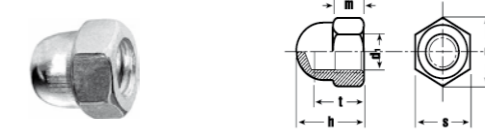


d1	M3	M4	M5	M6	M8	M10	M12	M14	M16	M18	M20
----	----	----	----	----	----	-----	-----	-----	-----	-----	-----

Other sizes available upon request (specify dimensions).

HEXAGON DOMED CAP NUT DIN 1587

Available A2 and A4

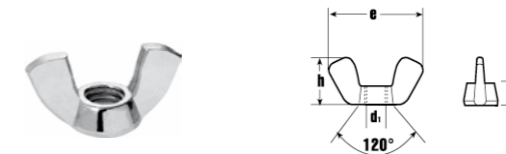


d1	M3	M4	M5	M6	M8	M10	M12	M14	M16	M18	M20
----	----	----	----	----	----	-----	-----	-----	-----	-----	-----

Other sizes available upon request (specify dimensions).

METRIC WING NUT LIGHT PATTERN CF

Available A2 and A4

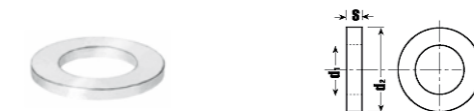


d1	M3	M4	M5	M6	M8	M10	M12	M14	M16	M18	M20
----	----	----	----	----	----	-----	-----	-----	-----	-----	-----

Other sizes available upon request (specify dimensions).

FLAT WASHER FORM 'A' DIN 125

Available A2 and A4



d1	M2	M2.5	M3	M3.5	M4	M5	M6	M8	M10	M12	M14	M16
----	----	------	----	------	----	----	----	----	-----	-----	-----	-----

d1	M18	M20	M22	M24	M27	M30	M33	M36	M39	M42	M45	M48
----	-----	-----	-----	-----	-----	-----	-----	-----	-----	-----	-----	-----

Other sizes available upon request (specify dimensions).

WASHER WITH OUTSIDE Ø=3 X BOLT Ø DIN 9021

Available A2 and A4



d1	M3	M4	M5	M6	M8	M10	M12	M16	M20
----	----	----	----	----	----	-----	-----	-----	-----

Other sizes available upon request (specify dimensions).

EXTERNAL SERRATED LOCK WASHER DIN 6798A

Available A2 and A4

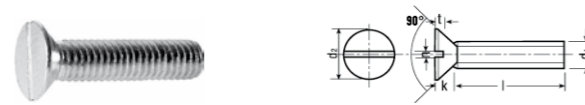


d1	M2.5	M3	M3.5	M4	M5	M6	M8	M10	M12	M14	M16	M18	M20	M22	M24	M27	M30
----	------	----	------	----	----	----	----	-----	-----	-----	-----	-----	-----	-----	-----	-----	-----

Other sizes available upon request (specify dimensions).

SLOTTED CSK FLAT HEAD MACHINE SCREW DIN 963

Available A2 and A4

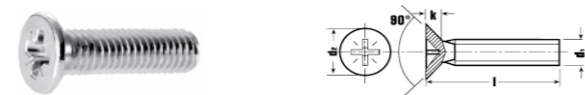


d1	M3	M4	M5	M6	M8	M10	M12	M16
LENGTH								
5mm	•							
6mm	•	•						
8mm	•	•	•					
10mm	•	•	•	•				
12mm	•	•	•	•	•			
16mm	•	•	•	•	•			
20mm	•	•	•	•	•	•	•	
25mm	•	•	•	•	•	•	•	
30mm	•	•	•	•	•	•	•	
35mm		•	•	•	•	•	•	
40mm		•	•	•	•	•	•	•
45mm		•	•	•	•	•	•	•
50mm		•	•	•	•	•	•	•
55mm			•	•	•	•	•	•
60mm			•	•	•	•	•	•
65mm			•	•	•	•	•	•
70mm			•	•	•	•	•	•
75mm			•	•	•	•	•	•
80mm			•	•	•	•	•	•
90mm			•	•	•	•	•	•
100mm			•	•	•	•	•	•
120mm				•	•	•	•	•

Other sizes available upon request (specify dimensions).

PHILLIPS CSK FLAT HEAD MACHINE SCREW DIN 965H

Available A2 and A4



d1	M2.5	M3	M4	M5	M6
LENGTH					
4mm	•				
5mm	•				
6mm	•	•	•		
8mm	•	•	•	•	
10mm	•	•	•	•	•
12mm	•	•	•	•	•
16mm	•	•	•	•	•
20mm	•	•	•	•	•
25mm			•	•	•
30mm			•	•	•
35mm				•	•
40mm				•	•

Other sizes available upon request (specify dimensions).

FIND THE NEW PRODUCTS ON LINE
www.mansuetomarine.it



MANSUETO MARINE

SLOTTED RAISED CSK HEAD MACHINE SCREW DIN 964

Available A2 and A4



d1	M3	M4	M5	M6
LENGTH				
6mm	•	•		
8mm	•	•	•	
10mm	•	•	•	•
12mm	•	•	•	•
16mm	•	•	•	•
20mm	•	•	•	•
25mm	•	•	•	•
30mm	•	•	•	•
35mm		•	•	•
40mm		•	•	•
50mm		•	•	•
60mm			•	•

Other sizes available upon request (specify dimensions).

PHILLIPS RAISED CSK HEAD MACHINE SCREW DIN 966H

Available A2 and A4



d1	M3	M4	M5	M6
LENGTH				
6mm	•	•		
8mm	•	•	•	
10mm	•	•	•	•
12mm	•	•	•	•
16mm	•	•	•	•
20mm	•	•	•	•
25mm	•	•	•	•
30mm	•	•	•	•
35mm		•	•	•
40mm		•	•	•
50mm		•	•	•
60mm			•	•

Other sizes available upon request (specify dimensions).

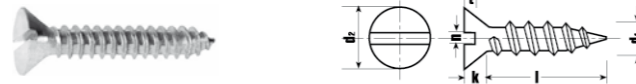
We deliver ALL OVER EUROPE
 MORE THAN 1.000.000 articles on stock
 WITH OUR OWN MEANS OF TRANSPORT

24/7 Express DELIVERY to the Mediterranean

www.mansuetomarine.it

SLOTTED CSK HEAD SELF TAPPING SCREW (AB) DIN 7972C

Available A2 and A4

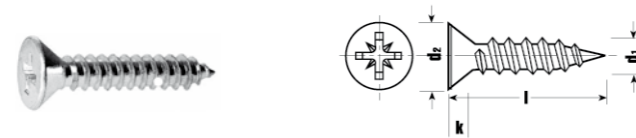


d1	(No.6) 3.5mm	(No.8) 4.2mm	(No.10) 4.8mm	(No.12) 5.5mm
LENGTH				
(3/8") 9mm	●	●		
(1/2") 13mm	●	●	●	
(5/8") 16mm	●	●	●	●
(3/4") 19mm	●	●	●	●
(1") 25mm	●	●	●	●
(1 1/4") 32mm	●	●	●	●
(1 1/2") 38mm	●	●	●	●
(2") 50mm		●	●	●

Other sizes available upon request (specify dimensions).

PHILLIPS CSK HEAD SELF TAPPING SCREW DIN 7982H

Available A2 and A4

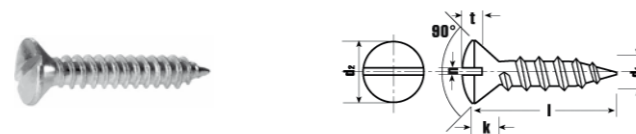


d1	(No.4) 2.9mm	(No.6) 3.5mm	(No.8) 4.2mm	(No.10) 4.8mm
LENGTH				
(3/8") 9mm	●	●	●	
(1/2") 13mm	●	●	●	●
(5/8") 16mm	●	●	●	●
(3/4") 19mm	●	●	●	●
(1") 25mm	●	●	●	●
(1 1/4") 32mm		●	●	●
(1 1/2") 38mm		●	●	●
(2") 50mm			●	●

Other sizes available upon request (specify dimensions).

SLOTTED RAISED CSK HEAD SELF TAPPING SCREW (AB) DIN 7973C

Available A2 and A4



d1	(No.4) 2.9mm	(No.6) 3.5mm	(No.8) 4.2mm	(No.10) 4.8mm
LENGTH				
(3/8") 9mm	●	●	●	
(1/2") 13mm	●	●	●	●
(5/8") 16mm	●	●	●	●
(3/4") 19mm	●	●	●	●
(1") 25mm	●	●	●	●
(1 1/4") 32mm		●	●	●
(1 1/2") 38mm		●	●	●
(2") 50mm			●	●

Other sizes available upon request (specify dimensions).

PHILLIPS RAISED CSK HEAD SELF TAPPING SCREW (AB) DIN 7983C

Available A2 and A4



d1	(No.6) 3.5mm	(No.8) 4.2mm	(No.10) 4.8mm
LENGTH			
(5/8") 16mm	●		
(3/4") 19mm	●	●	
(1") 25mm	●	●	●
(1 1/4") 32mm		●	
(1 1/2") 38mm		●	
(1 3/4") 45mm		●	

Other sizes available upon request (specify dimensions).

PIN HEXAGON CSK SECURITY MACHINE SCREW

Available A2 and A4



d1	3mm	4mm	5mm	6mm	8mm	10mm
LENGTH						
6mm	●	●				
8mm	●	●				
10mm	●	●	●	●	●	
12mm	●	●	●	●	●	
16mm	●	●	●	●	●	●
20mm	●	●	●	●	●	●
25mm		●	●	●	●	●
30mm		●	●	●	●	●
35mm				●	●	
40mm			●	●	●	●
45mm				●	●	
50mm				●	●	●
60mm					●	●

Other sizes available upon request (specify dimensions).

PIN HEXAGON BUTTON SECURITY MACHINE SCREW

Available A2 and A4



d1	3mm	4mm	5mm	6mm	8mm	10mm
LENGTH						
6mm	●					
8mm	●	●				
10mm	●	●	●	●	●	
12mm	●	●	●	●	●	
16mm	●	●	●	●	●	●
20mm	●	●	●	●	●	●
25mm		●	●	●	●	●
30mm		●	●	●	●	●
35mm				●	●	
40mm			●	●	●	●
45mm				●	●	
50mm				●	●	●
60mm				●	●	●

Other sizes available upon request (specify dimensions).

SPECIAL TOOLS

INSPECTION MIRRORS



Code: MM ABC A15254500
 With rectangular mirror 65x45 mm
 Oval rod to avoid the accidental mirror move
 Length: closed 240 mm - opened 680 mm



Code: MM ABC A15253500
 With round mirror 45 mm
 Oval rod to avoid the accidental mirror move
 Length: closed 240 mm - opened 680 mm

MAGNETIC PICK-UP TOOLS



Flexible with steel spiral
 Chrome plated version
 Plastic trinamic handle

Code	Magnetic Force	Length
MM ABC A15181100	1100gr	465mm
MM ABC A15184500	4500gr	530mm
MM ABC A15187500	7500gr	530mm



Code: MM SIC 1882GPA
 Telescopic model
 Permanent magnet end fitting and white LED light
 Open/closed length: 170/830mm

SPECIAL HOLDING TOOLS



Flexible with steel spiral
 With 3 retractable elastic spring jaws and
 Plastic handle - Nickel-plated spiral
 For gripping pieces in hard to reach areas
 Body with plastic

Code	Length
MM ABC A15235350	350mm
MM ABC A15235500	500mm
MM ABC A15235700	700mm



GET APP!



Download our App and access the marine catalogues
 from your mobile device!

HINGES



DOOR HINGES - STAINLESS STEEL BOOKLET HINGES

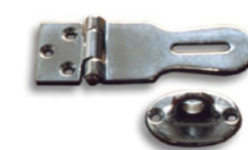
	Code	Dimensions (HxW) mm	Thickness mm	Hub mm	Features
	MM RZC 407800	100x100	5	-	Removable pin
	MM RZC 4063	100x100	6	-	Brass pin
	MM RZC 389900	120x100	3	12	Fixed pin
	MM RZC 389901	100x90	3	12	Fixed pin
	MM RZC 389902	100x80	3	12	Fixed pin
	MM RZC 389903	100x70	3	12	Fixed pin
	MM RZC 4047	110x80	5	17	Pin Ø 7mm; countersunk holes M5
	MM RZC 3883	100x40; 90x30; 80x20	2	-	Holes Ø 8mm
	MM RZC 3882	100x40; 90x30; 80x20	2	-	Holes Ø 8mm



DOOR HINGES - BRASS CHROME PLATED HINGE HASP



Code	Dimensions mm
MM RZC 3949	105 x 50 x 23



Code	Dimensions mm
MM RZC 3180	110 x 35 - 135 x 45



Code	Dimensions mm
MM RZC 3950	55 x 50 x 16



DOOR HINGES – DIFFERENT SHAPES



Code	Dimensions (HxW) mm	Finish
MM RZC 1177	50 x 65	brass
MM RZC 3854	40 x 50 50 x 60	brass

Code	Dimensions (HxW) mm	Thickness mm	Hub mm	Finish
MM RZC 3855	140 x 110 110 x 95 110 x 90 110 x 85 110 x 75	2	Ø 13	Stainless steel
MM RZC 3856	30 x 40 40 x 50 50 x 60 (other sizes on request)	2	Ø 8	Stainless steel



Code	Dimensions (HxW) mm	Thickness mm	Finish
MM RZC 385524-25	110 x 95	3	Stainless steel
MM RZC 385534-35	110 x 95	3	Stainless steel



Code	Dimensions (HxW) mm	Thickness mm	Finish
MM RZC 385518 - 19	110 x 75	2	Stainless steel



Code	Dimensions (HxW) mm	Thickness mm	Finish
MM RZC 3951	151 x 30	4	brass chrome plated
MM RZC 3952	98 x 26	4	brass chrome plated
MM RZC 3956	96 x 55	4	brass chrome plated



Code	Wing mm	Base mm	h. mm	Finish
MM RZC 4001	45 x 40	24 x 40	20 - 30	Stainless steel
MM RZC 4002	40 x 30	24 x 30	15 - 25	Stainless steel
MM RZC 4003	35 x 20	20 x 20	15 - 25	Stainless steel



STAINLESS STEEL CONTINUOUS HINGE



Code	Width open mm	Thickness mm	Hub Ø mm	Length mm
MM RZC 3181	16	0,7	4	1.800
	20	0,7	4	1.800
	25	0,7	4	3.000
	32	0,7	4	3.000
	40	0,7	4	3.000
	50	0,7	4	3.000
	40	1,5	7	2.000
	50	1,5	7	2.000
	50	2	10	2.000
	60	2	10	2.000

MANSUETO MARINE



DOOR CONCEALED HINGES WITH STAINLESS STEEL PIN



Code	Dimensions (HxW) mm	Finish
MM RZC 700000	39 x 28	brass nickel plated
MM RZC 700001		brass

Code	Dimensions (HxW) mm	Finish
MM RZC 700002	88 x 45	brass nickel plated
MM RZC 700003		brass



Code	Dimensions (HxW) mm	Finish
MM RZC 700004	52 x 45	brass nickel plated
MM RZC 700005		brass

Code	Dimensions (HxW) mm	Finish
MM RZC 700006	41 x 45	brass nickel plated
MM RZC 700007		brass



HATCHWAY HINGES – BRASS CHROME PLATED



Code	Dimensions mm
MM RZC 3943	140 x 58 x 40

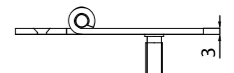
Code	Dimensions mm
MM RZC 3957	96 x 59 x 20



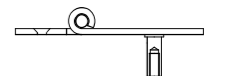
HATCHWAY HINGES - STAINLESS STEEL AISI 316 MIRROR POLISHED FINISH



Type A
Threaded pins M8x40



Type B
Female threaded bushes M5

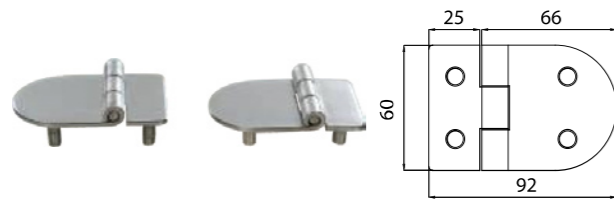


Code	Dimensions (LxH) mm	Thickness mm	Features
MM OLC 5500	90x60	3	180° folding hinge 2 holes + 2 pins

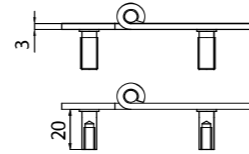
www.mansuetomarine.it



**HATCHWAY HINGES - STAINLESS STEEL AISI 316
MIRROR POLISHED FINISH**

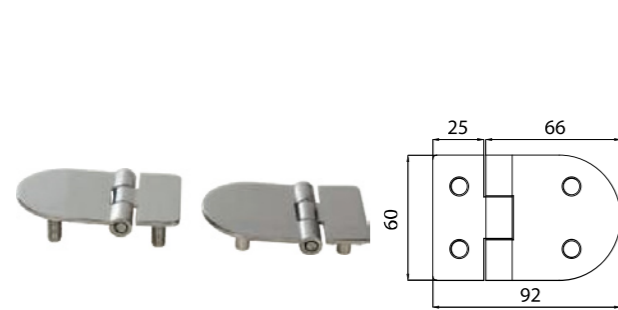


Type A
Threaded pins M8x40

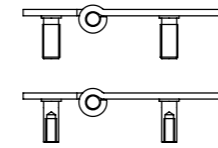


Type B
Female threaded bushes M5

Code	Dimensions (LxH) mm	Thickness mm	Features
MM OLC 5502	90X60	3	180° folding hinge 4 pins

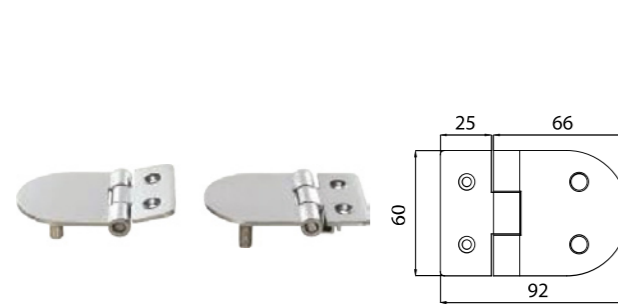


Type A
Threaded pins M8x40

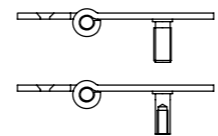


Type B
Female threaded bushes M5

Code	Dimensions (LxH) mm	Thickness mm	Features
MM OLC 5506	90X60	3	120° folding hinge 4 pins

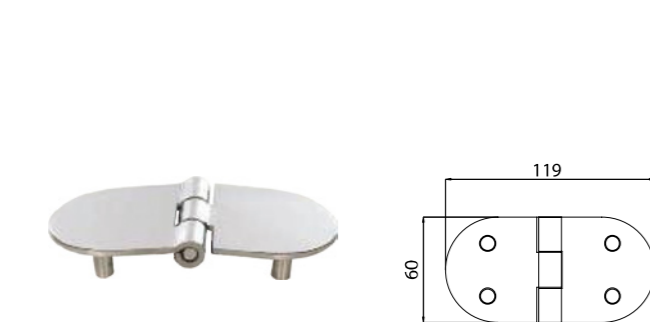


Type A
Threaded pins M8x40

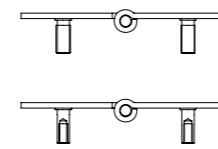


Type B
Female threaded bushes M5

Code	Dimensions (LxH) mm	Thickness mm	Features
MM OLC 5504	90X60	3	120° folding hinge 2 holes + 2 pins

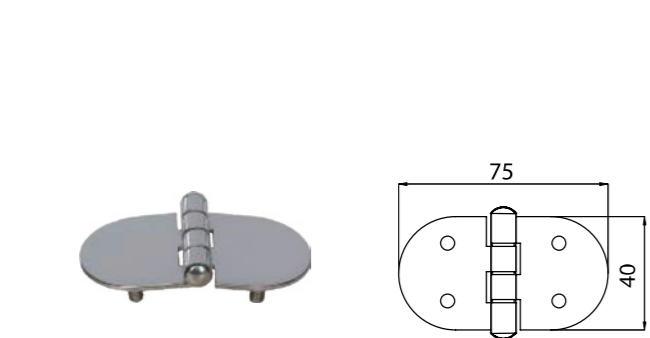


Type A
Threaded pins M8x40

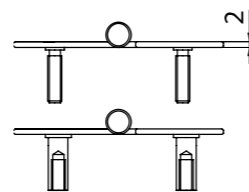


Type B
Female threaded bushes M5

Code	Dimensions (LxH) mm	Thickness mm	Features
MM OLC 5505	90X60	3	120° folding hinge 4 pins



Type A
Threaded pins M5



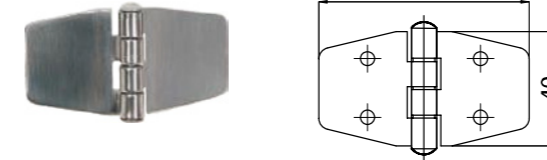
Type B
Female threaded bushes M3

Code	Dimensions (LxH) mm	Thickness mm	Features
MM OLC 5468	75X40	2	180° folding hinge 4 pins

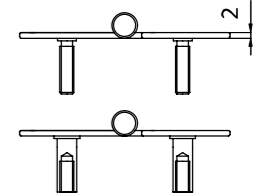
MANSUETO MARINE



**HATCHWAY HINGES - STAINLESS STEEL AISI 316
MIRROR POLISHED FINISH**

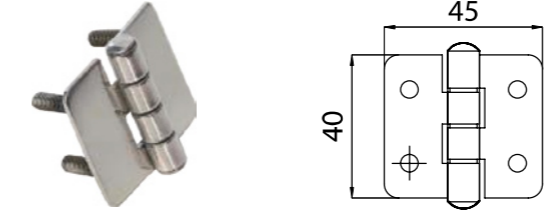


Type A
Threaded pins M8x40

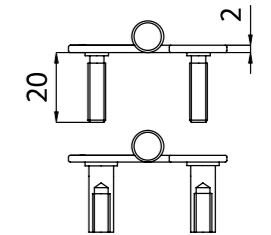


Type B
Female threaded bushes M5

Code	Dimensions (LxH) mm	Thickness mm	Features
MM OLC 5463	80X40	2	180° folding hinge 4 pins



Type A
Threaded pins M8x40



Type B
Female threaded bushes M5

Code	Dimensions (LxH) mm	Thickness mm	Features
MM OLC 5469	45X40	2	180° folding hinge 4 pins



TABLE HINGES - STAINLESS STEEL

	Code	Dimensions (HxW) mm	Thickness mm	Features
	MM OLC 2850	80x30	2	Mirror polished stainless steel AISI 316
	MM OLC 2851	80x40	2	Mirror polished stainless steel AISI 316
	MM OLC 2856	80x30	2	Mirror polished stainless steel AISI 316


Other types of hinges of different brands can be ordered and delivered in 24 hours, including but not limited to:



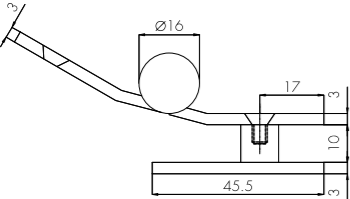
www.mansuetomarine.it




SHOWER DOOR HINGES - STAINLESS STEEL



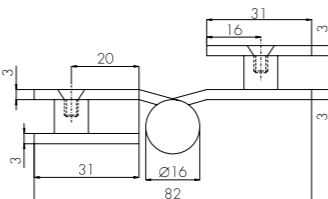
For corner shower door
Inswing hinge




Code
MM OLC 5600



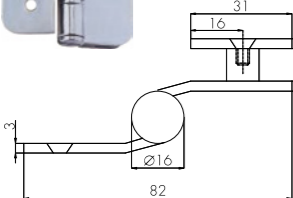
For plan flat shower door
Outswing hinge
Mirror polished finish




Code
MM OLC 5601



Outswing hinge
Mirror polished finish



Code
MM OLC 5602




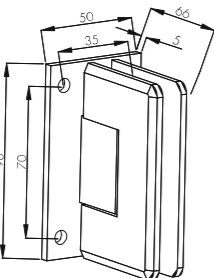
For corner shower door
Mirror polished finish




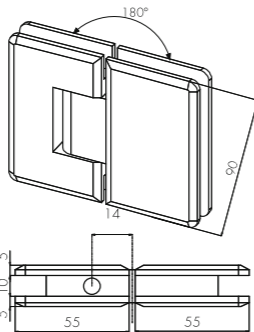
Code
MM OLC 5603




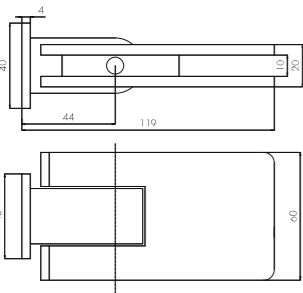
CRYSTAL/CRYSTAL SHOWER DOOR HINGES - POLISHED CHROME BRASS


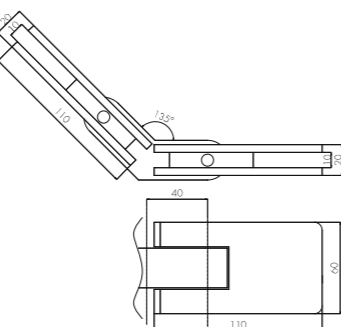
Code
MM OLC 5630

Code
MM OLC 5631

Code
MM OLC 5632

Code
MM OLC 5633

MANSUETO MARINE



WHEELS



**STAINLESS STEEL SWIVEL AND FIXED CASTORS
NYLON WHEELS**



Brackets: LEX/BEX/BX Series - Pressed from high-quality, chromium-nickel stainless steel (material No. 1.4301/AISI 304), swivel bracket with double ball bearing in the swivel head, swivel head sealing, bolted wheel axle.
All metal parts are stainless steel and brackets are vibration-ground finished.
Wheels: PO Series - Made of high-quality nylon, colour natural white, high abrasion resistance, low rolling resistance, smooth running performance on even floors, shock and impact-resistant, corrosion-resistant, high chemical resistance to alcohol, salts, greases and certain acids and lyes in diluted concentration, plain, stainless steel roller bearing or sealed ball bearing. As standard, ball bearing versions are supplied with bearing sealing.

Code	Code	Code	Wheel Ø [mm]	Wheel width [mm]	Load capacity [kg]	Bearing version	Total height [mm]	Plate size [mm]	Bolt hole spacing [mm]	Bolt hole Ø [mm]	Offset swvl castor [mm]
MM BLI LEX-PO 75G	MM BLI BEX-PO 75G	MM BLI LEX-PO 75G-FI	75	32	150	Plain bearing	100	100 x 85	80 x 60	9	38
MM BLI LEX-PO 75XR	MM BLI BEX-PO 75XR	MM BLI LEX-PO 75XR-FI	75	32	150	Roller bearing	100	100 x 85	80 x 60	9	38
MM BLI LEX-PO 80G	MM BLI BEX-PO 80G	MM BLI LEX-PO 80G-FI	80	33	150	Plain bearing	102	100 x 85	80 x 60	9	38
MM BLI LEX-PO 80XR	MM BLI BEX-PO 80XR	MM BLI LEX-PO 80XR-FI	80	33	150	Roller bearing	102	100 x 85	80 x 60	9	38
MM BLI LEX-PO 100G	MM BLI BEX-PO 100G	MM BLI LEX-PO 100G-FI	100	37	150	Plain bearing	125	100 x 85	80 x 60	9	36
MM BLI LEX-PO 100XR	MM BLI BEX-PO 100XR	MM BLI LEX-PO 100XR-FI	100	37	150	Roller bearing	125	100 x 85	80 x 60	9	36
MM BLI LEX-PO 100KD	MM BLI BEX-PO 100KD	MM BLI LEX-PO 100KD-FI	100	37	150	Ball bearing	125	100 x 85	80 x 60	9	36
MM BLI LEX-PO 125G	MM BLI BEX-PO 125G	MM BLI LEX-PO 125G-FI	125	40	150	Plain bearing	150	100 x 85	80 x 60	9	40
MM BLI LEX-PO 125XR	MM BLI BEX-PO 125XR	MM BLI LEX-PO 125XR-FI	125	40	150	Roller bearing	150	100 x 85	80 x 60	9	40
MM BLI LEX-PO 125KD	MM BLI BEX-PO 125KD	MM BLI LEX-PO 125KD-FI	125	40	150	Ball bearing	150	100 x 85	80 x 60	9	40
MM BLI LEX-PO 150G	MM BLI BX-PO 150G	MM BLI LEX-PO 150G-FI	150	50	300	Plain bearing	190	140 x 110	105 x 75-80	11	54
MM BLI LEX-PO 150XR	MM BLI BX-PO 150XR	MM BLI LEX-PO 150XR-FI	150	50	300	Roller bearing	190	140 x 110	105 x 75-80	11	54
MM BLI LEX-PO 160G	MM BLI BX-PO 160G	MM BLI LEX-PO 160G-FI	160	50	300	Plain bearing	195	140 x 110	105 x 75-80	11	54
MM BLI LEX-PO 160XR	MM BLI BX-PO 160XR	MM BLI LEX-PO 160XR-FI	160	50	300	Roller bearing	195	140 x 110	105 x 75-80	11	54
MM BLI LEX-PO 200G	MM BLI BX-PO 200G	MM BLI LEX-PO 200G-FI	200	50	300	Plain bearing	235	140 x 110	105 x 75-80	11	54
MM BLI LEX-PO 200XR	MM BLI BX-PO 200XR	MM BLI LEX-PO 200XR-FI	200	50	300	Roller bearing	235	140 x 110	105 x 75-80	11	54

www.mansuetomarine.it



STAINLESS STEEL SWIVEL CASTORS WITH BOLT HOLE FITTING NYLON WHEELS



Brackets: LEXR Series - Pressed from high-quality, chromium-nickel stainless steel (material No. 1.4301/AISI 304), with double ball bearing in the swivel head, with strong central kingpin, bolted wheel axle. All metal parts are stainless steel and brackets are vibration-ground finished.
Wheels: PO Series - Made of high-quality nylon, colour natural white, high abrasion resistance, low rolling resistance, smooth running performance on even floors, shock and impact-resistant, corrosion-resistant, high chemical resistance to alcohol, salts, greases and certain acids and lyes in diluted concentration, plain bearing.



Swivel castors



Swivel castors with "stop-fix" brake

Code	Code	Wheel Ø [mm]	Wheel width [mm]	Load capacity [kg]	Bearing version	Total height [mm]	Plate Ø [mm]	Bolt hole Ø [mm]	Offset [mm]
MM BLI LEXR-PO 75G	MM BLI LEXR-PO 75G-FI	75	32	150	Plain bearing	100	70	13	38
MM BLI LEXR-PO 80G	MM BLI LEXR-PO 80G-FI	80	33	150	Plain bearing	102	70	13	38
MM BLI LEXR-PO 100G	MM BLI LEXR-PO 100G-FI	100	37	150	Plain bearing	125	70	13	36
MM BLI LEXR-PO 125G	MM BLI LEXR-PO 125G-FI	125	40	150	Plain bearing	150	70	13	40
MM BLI LEXR-PO 150G	MM BLI LEXR-PO 150G-FI	150	50	300	Plain bearing	190	88	13	54
MM BLI LEXR-PO 200G	MM BLI LEXR-PO 200G-FI	200	50	300	Plain bearing	235	88	13	54



STAINLESS STEEL SWIVEL CASTORS WITH STEM FITTING NYLON WHEELS



Brackets: LEXZ Series - Pressed from high-quality, chromium-nickel stainless steel (material No. 1.4301/AISI 304), swivel bracket with double ball bearing in the swivel head, plug-in stem, bolted wheel axle. All metal parts are stainless steel and brackets are vibration-ground finished.
Wheels: PO Series - Made of high-quality nylon, colour natural white, high abrasion resistance, low rolling resistance, smooth running performance on even floors, shock and impact-resistant, corrosion-resistant, high chemical resistance to alcohol, salts, greases and certain acids and lyes in diluted concentration, plain bearing.



Swivel castors



Swivel castors with "stop-fix" brake

Code	Code	Wheel Ø [mm]	Wheel width [mm]	Load capacity [kg]	Bearing version	Total height [mm]	Stem Ø [mm]	Stem length [mm]	Offset [mm]
MM BLI LEXZ-PO 75G	MM BLI LEXZ-PO 75G-FI	75	32	150	Plain bearing	100	20	50	38
MM BLI LEXZ-PO 80G	MM BLI LEXZ-PO 80G-FI	80	33	150	Plain bearing	102	20	50	38
MM BLI LEXZ-PO 100G	MM BLI LEXZ-PO 100G-FI	100	37	150	Plain bearing	125	20	50	36
MM BLI LEXZ-PO 125G	MM BLI LEXZ-PO 125G-FI	125	40	150	Plain bearing	150	20	50	40
MM BLI LEXZ-PO 150G	MM BLI LEXZ-PO 150G-FI	150	50	270	Plain bearing	190	27	60	54
MM BLI LEXZ-PO 200G	MM BLI LEXZ-PO 200G-FI	200	50	270	Plain bearing	235	27	60	54



STAINLESS STEEL SWIVEL AND FIXED CASTORS, HEAVY DUTY BRACKETS NYLON WHEELS



Brackets: LKX/BKX Series - Pressed from heavy, high-quality, chromium-nickel stainless steel (material No. 1.4301/AISI 304), reinforced fork and top plate, double ball bearing in the swivel head, swivel head sealing, very strong central kingpin. All metal parts are stainless steel and brackets are vibration-ground finished.
Wheels: SPO Series - Made of high-quality nylon, very rugged, colour natural white, high abrasion resistance, low rolling resistance, smooth running performance on even floors, shock and impact-resistant, corrosion-resistant, high chemical resistance to alcohol, salts, greases and certain acids and lyes in diluted concentration, plain or stainless steel ball bearing.



Swivel castors



Fixed castors



Swivel castors with "stop-fix" brake

Code	Code	Code	Wheel Ø [mm]	Wheel width [mm]	Load capacity [kg]	Bearing version	Total height [mm]	Plate size [mm]	Bolt hole spacing [mm]	Bolt hole Ø [mm]	Offset swvl castor [mm]
MM BLI LKX-SPO 125G	MM BLI BKX-SPO 125G	*	125	40	300	Plain bearing	165	140 x 110	105 x 75-80	11	55
MM BLI LKX-SPO 127G	MM BLI BKX-SPO 127G	MM BLI LKX-SPO 127G-FI	125	50	750	Plain bearing	170	140 x 110	105 x 75-80	11	55
MM BLI LKX-SPO 127XK	MM BLI BKX-SPO 127XK	MM BLI LKX-SPO 127XK-FI	125	50	750	Ball bearing	170	140 x 110	105 x 75-80	11	55
MM BLI LKX-SPO 150G	MM BLI BKX-SPO 150G	MM BLI LKX-SPO 150G-FI	150	50	800	Plain bearing	197	140 x 110	105 x 75-80	11	63
MM BLI LKX-SPO 150XK	MM BLI BKX-SPO 150XK	MM BLI LKX-SPO 150XK-FI	150	50	800	Ball bearing	197	140 x 110	105 x 75-80	11	63
MM BLI LKX-SPO 200G	MM BLI BKX-SPO 200G	MM BLI LKX-SPO 200G-FI	200	50	800	Plain bearing	245	140 x 110	105 x 75-80	11	65
MM BLI LKX-SPO 200XK	MM BLI BKX-SPO 200XK	MM BLI LKX-SPO 200XK-FI	200	50	800	Ball bearing	245	140 x 110	105 x 75-80	11	65

ALL OUR PRODUCTS
 ARE DISTRIBUTED IN EVERY
CAPTAIN MARINE STORE

www.captainmarine.it
 Find your nearest CMS





STAINLESS STEEL SWIVEL AND FIXED CASTORS, MEDIUM DUTY BRACKETS NYLON WHEELS



Brackets: LX/BX Series - Pressed from high-quality, chromium-nickel stainless steel (material No. 1.4301/AISI 304), swivel bracket with double ball bearing in the reinforced swivel head, swivel head sealing, strong central kingpin, bolted wheel axle. All metal parts are stainless steel and brackets are vibration-ground finished.

Wheels: PO Series - Made of high-quality nylon, colour natural white, high abrasion resistance, low rolling resistance, smooth running performance on even floors, shock and impact-resistant, corrosion-resistant, high chemical resistance to alcohol, salts, greases and certain acids and lyes in diluted concentration, plain, stainless steel roller or ball bearing.

Code	Code	Code	Wheel Ø [mm]	Wheel width [mm]	Load capacity [kg]	Bearing version	Total height [mm]	Plate size [mm]	Bolt hole spacing [mm]	Bolt hole Ø [mm]	Offset swvl castor [mm]
MM BLI LX-PO 150G	MM BLI BX-PO 150G	MM BLI LX-PO 150G-FI	150	50	400	Plain bearing	190	140 x 110	105 x 75-80	11	60
MM BLI LX-PO 150XR	MM BLI BX-PO 150XR	MM BLI LX-PO 150XR-FI	150	50	400	Roller bearing	190	140 x 110	105 x 75-80	11	60
MM BLI LX-PO 150XK	MM BLI BX-PO 150XK	MM BLI LX-PO 150XK-FI	150	50	400	Ball bearing	190	140 x 110	105 x 75-80	11	60
MM BLI LX-PO 200G	MM BLI BX-PO 200G	MM BLI LX-PO 200G-FI	200	50	400	Plain bearing	235	140 x 110	105 x 75-80	11	65
MM BLI LX-PO 200XR	MM BLI BX-PO 200XR	MM BLI LX-PO 200XR-FI	200	50	400	Roller bearing	235	140 x 110	105 x 75-80	11	65
MM BLI LX-PO 200XK	MM BLI BX-PO 200XK	MM BLI LX-PO 200XK-FI	200	50	400	Ball bearing	235	140 x 110	105 x 75-80	11	65



STAINLESS STEEL SWIVEL AND FIXED CASTORS, MEDIUM DUTY BRACKETS ELASTIC SOLID RUBBER TYRES



Brackets: LX/BX Series - Pressed from high-quality, chromium-nickel stainless steel (material No. 1.4301/AISI 304), swivel bracket with double ball bearing in the reinforced swivel head, swivel head sealing, strong central kingpin, bolted wheel axle. All metal parts are stainless steel and brackets are vibration-ground finished.

Wheels: POEV Series - Tyres: Elastic solid rubber, smooth rolling quality, colour grey, non-marking, 65° shore A, vulcanised, non-detachable connection, low rolling resistance. Wheel centres: Made of high-quality nylon, colour black, shock and impact-resistant, corrosion-resistant, stainless steel roller or sealed ball bearing. As standard, ball bearing versions are supplied with bearing sealing.

Code	Code	Code	Wheel Ø [mm]	Wheel width [mm]	Load capacity [kg]	Bearing version	Total height [mm]	Plate size [mm]	Bolt hole spacing [mm]	Bolt hole Ø [mm]	Offset swvl castor [mm]
MM BLI LX-POEV 160XR-SG	MM BLI BX-POEV 160XR-SG	MM BLI LX-POEV 160XR-SG-FI	160	50	350	Roller bearing	195	140 x 110	105 x 75-80	11	60
MM BLI LX-POEV 160KD-SG	MM BLI BX-POEV 160KD-SG	MM BLI LX-POEV 160KD-SG-FI	160	50	350	Ball bearing	195	140 x 110	105 x 75-80	11	60
MM BLI LX-POEV 200XR-SG	MM BLI BX-POEV 200XR-SG	MM BLI LX-POEV 200XR-SG-FI	200	50	400	Roller bearing	235	140 x 110	105 x 75-80	11	65
MM BLI LX-POEV 200KD-SG	MM BLI BX-POEV 200KD-SG	MM BLI LX-POEV 200KD-SG-FI	200	50	400	Ball bearing	235	140 x 110	105 x 75-80	11	65



STAINLESS STEEL SWIVEL CASTORS WITH BOLT HOLE FITTING ELASTIC SOLID RUBBER TYRES



Brackets: LEXR Series - Pressed from high-quality, chromium-nickel stainless steel (material No. 1.4301/AISI 304), with double ball bearing in the swivel head, with strong central kingpin, bolted wheel axle. All metal parts are stainless steel and brackets are vibration-ground finished.

Wheels: POEV Series - Tyres: Elastic solid rubber, smooth rolling quality, colour grey, non-marking, 65° shore A, vulcanised, non-detachable connection, low rolling resistance. Wheel centres: Made of high-quality nylon, colour black, shock and impact-resistant, corrosion-resistant, plain or stainless steel roller bearing or sealed ball bearing. As standard, ball bearing versions are supplied with bearing sealing.

Code	Code	Wheel Ø [mm]	Wheel width [mm]	Load capacity [kg]	Bearing version	Total height [mm]	Plate Ø [mm]	Bolt hole [mm]	Offset [mm]
MM BLI LEXR-POEV 80XR-SG	MM BLI LEXR-POEV 80XR-SG-FI	80	32	120	Roller bearing	102	70	13	38
MM BLI LEXR-POEV 100G-SG	MM BLI LEXR-POEV 100G-SG-FI	100	38	150	Plain bearing	125	70	13	36
MM BLI LEXR-POEV 100XR-SG	MM BLI LEXR-POEV 100XR-SG-FI	100	38	150	Roller bearing	125	70	13	36
MM BLI LEXR-POEV 100KD-SG	MM BLI LEXR-POEV 100KD-SG-FI	100	38	150	Ball bearing	125	70	13	36
MM BLI LEXR-POEV 125XR-SG	MM BLI LEXR-POEV 125XR-SG-FI	125	40	150	Roller bearing	150	70	13	40
MM BLI LEXR-POEV 125KD-SG	MM BLI LEXR-POEV 125KD-SG-FI	125	40	150	Ball bearing	150	70	13	40
MM BLI LEXR-POEV 160XR-SG	MM BLI LEXR-POEV 160XR-SG-FI	160	50	300	Roller bearing	195	88	13	54
MM BLI LEXR-POEV 160KD-SG	MM BLI LEXR-POEV 160KD-SG-FI	160	50	300	Ball bearing	195	88	13	54
MM BLI LEXR-POEV 200XR-SG	MM BLI LEXR-POEV 200XR-SG-FI	200	50	300	Roller bearing	235	88	13	54
MM BLI LEXR-POEV 200KD-SG	MM BLI LEXR-POEV 200KD-SG-FI	200	50	300	Ball bearing	235	88	13	54



STAINLESS STEEL SWIVEL CASTORS WITH BOLT HOLE FITTING SOLID RUBBER TYRES



Brackets: LEXR Series - Pressed from high-quality, chromium-nickel stainless steel (material No. 1.4301/AISI 304), with double ball bearing in the swivel head, with strong central kingpin, bolted wheel axle. All metal parts are stainless steel and brackets are vibration-ground finished.

Wheels: VPP Series - Tyres: Solid rubber, colour grey, non-marking, 80° shore A or 90° shore A with wheel dimensions of 80x32 mm. Rims: Made of polypropylene, shock and impact-resistant, corrosion-resistant, plain bearing, colour black.

Code	Code	Wheel Ø [mm]	Tyre width [mm]	Load capacity [kg]	Bearing version	Total height [mm]	Plate Ø [mm]	Bolt hole [mm]	Offset [mm]
MM BLI LEXR-VPP 80G-SG	MM BLI LEXR-VPP 80G-SG-FI	80	25	50	Plain bearing	102	70	13	38
MM BLI LEXR-VPP 82G-SG	MM BLI LEXR-VPP 82G-SG-FI	80	32	100	Plain bearing	102	70	13	38
MM BLI LEXR-VPP 100G-SG	MM BLI LEXR-VPP 100G-SG-FI	100	30	70	Plain bearing	125	70	13	36
MM BLI LEXR-VPP 125G-SG	MM BLI LEXR-VPP 125G-SG-FI	125	37,5	100	Plain bearing	150	70	13	40
MM BLI LEXR-VPP 150G-SG	MM BLI LEXR-VPP 150G-SG-FI	150	40	135	Plain bearing	190	88	13	54
MM BLI LEXR-VPP 160G-SG	MM BLI LEXR-VPP 160G-SG-FI	160	40	135	Plain bearing	195	88	13	54
MM BLI LEXR-VPP 200G-SG	MM BLI LEXR-VPP 200G-SG-FI	200	50	205	Plain bearing	235	88	13	54



STAINLESS STEEL SWIVEL AND FIXED CASTORS SOLID RUBBER TYRES

Brackets: LEX/BEX/BX Series - Pressed from high-quality, chromium-nickel stainless steel (material No. 1.4301/AISI 304), swivel bracket with double ball bearing in the swivel head, swivel head sealing, bolted wheel axle. All metal parts are stainless steel and brackets are vibration-ground finished.

Wheels: VPP Series - Tyres: Solid rubber, colour grey, non-marking, 80° shore A or 90° shore A with wheel dimensions of 80x32 mm. Rims: Made of polypropylene, shock and impact-resistant, corrosion-resistant, plain or stainless steel roller bearing, colour black.



Swivel castors



Fixed castors

Swivel castors
with "stop-fix"
brake

Code	Code	Code	Wheel Ø [mm]	Tyre width [mm]	Load capacity [kg]	Bearing version	Total height [mm]	Plate size [mm]	Bolt hole spacing [mm]	Bolt hole Ø [mm]	Offset swvl castor [mm]
MM BLI LEX-VPP 80G-SG	MM BLI BEX-VPP 80G-SG	MM BLI LEX-VPP 80G-SG-FI	80	25	50	Plain bearing	102	100 x 85	80 x 60	9	38
MM BLI LEX-VPP 80XR-SG	MM BLI BEX-VPP 80XR-SG	MM BLI LEX-VPP 80XR-SG-FI	80	25	50	Roller bearing	102	100 x 85	80 x 60	9	38
MM BLI LEX-VPP 82G-SG	MM BLI BEX-VPP 82G-SG	MM BLI LEX-VPP 82G-SG-FI	80	32	100	Plain bearing	102	100 x 85	80 x 60	9	38
MM BLI LEX-VPP 100G-SG	MM BLI BEX-VPP 100G-SG	MM BLI LEX-VPP 100G-SG-FI	100	30	70	Plain bearing	125	100 x 85	80 x 60	9	36
MM BLI LEX-VPP 100XR-SG	MM BLI BEX-VPP 100XR-SG	MM BLI LEX-VPP 100XR-SG-FI	100	30	70	Roller bearing	125	100 x 85	80 x 60	9	36
MM BLI LEX-VPP 125G-SG	MM BLI BEX-VPP 125G-SG	MM BLI LEX-VPP 125G-SG-FI	125	37,5	100	Plain bearing	150	100 x 85	80 x 60	9	40
MM BLI LEX-VPP 125XR-SG	MM BLI BEX-VPP 125XR-SG	MM BLI LEX-VPP 125XR-SG-FI	125	37,5	100	Roller bearing	150	100 x 85	80 x 60	9	40
MM BLI LEX-VPP 150G-SG-1	MM BLI BEX-VPP 150G-SG-1	MM BLI LEX-VPP 150G-SG-1-FI	150	40	135	Plain bearing	190	100 x 85	80 x 60	9	54
MM BLI LEX-VPP 150G-SG	MM BLI BX-VPP 150G-SG	MM BLI LEX-VPP 150G-SG-FI	150	40	135	Plain bearing	190	140 x 110	105 x 75-80	11	54
MM BLI LEX-VPP 150XR-SG-1	MM BLI BEX-VPP 150XR-SG-1	MM BLI LEX-VPP 150XR-SG-1-FI	150	40	135	Roller bearing	190	100 x 85	80 x 60	9	54
MM BLI LEX-VPP 150XR-SG	MM BLI BX-VPP 150XR-SG	MM BLI LEX-VPP 150XR-SG-FI	150	40	135	Roller bearing	190	140 x 110	105 x 75-80	11	54
MM BLI LEX-VPP 160G-SG-1	MM BLI BEX-VPP 160G-SG-1	MM BLI LEX-VPP 160G-SG-1-FI	160	40	135	Plain bearing	195	100 x 85	80 x 60	9	54
MM BLI LEX-VPP 160G-SG	MM BLI BX-VPP 160G-SG	MM BLI LEX-VPP 160G-SG-FI	160	40	135	Plain bearing	195	140 x 110	105 x 75-80	11	54
MM BLI LEX-VPP 160XR-SG-1	MM BLI BEX-VPP 160XR-SG-1	MM BLI LEX-VPP 160XR-SG-1-FI	160	40	135	Roller bearing	195	100 x 85	80 x 60	9	54
MM BLI LEX-VPP 160XR-SG	MM BLI BX-VPP 160XR-SG	MM BLI LEX-VPP 160XR-SG-FI	160	40	135	Roller bearing	195	140 x 110	105 x 75-80	11	54
MM BLI LEX-VPP 200G-SG-1	MM BLI BEX-VPP 200G-SG-1	MM BLI LEX-VPP 200G-SG-1-FI	200	50	205	Plain bearing	235	100 x 85	80 x 60	9	54
MM BLI LEX-VPP 200G-SG	MM BLI BX-VPP 200G-SG	MM BLI LEX-VPP 200G-SG-FI	200	50	205	Plain bearing	235	140 x 110	105 x 75-80	11	54
MM BLI LEX-VPP 200XR-SG-1	MM BLI BEX-VPP 200XR-SG-1	MM BLI LEX-VPP 200XR-SG-1-FI	200	50	205	Roller bearing	235	100 x 85	80 x 60	9	54
MM BLI LEX-VPP 200XR-SG	MM BLI BX-VPP 200XR-SG	MM BLI LEX-VPP 200XR-SG-FI	200	50	205	Roller bearing	235	140 x 110	105 x 75-80	11	54

FIND US ON facebook !
www.facebook.com/mansuetomarine

