



BARBECUE



SMOKEY JOE® ORIGINAL



Features

- Limited 10 year warranty
- Fire & rust-proof lid & bowl made from porcelain-enamelled steel
- Rust-proof vents regulate airflow
- Heavy duty cooking grate
- Weather-proof handle with protective heat shield
- Includes charcoal measuring cup

Specs

Exterior dimensions

Height 46cm
Width 36cm
Depth 39cm

Cooking area:
1075cm² / 167inch²

Codes

MM WEB SMOJO (Black)
MM WEB SMOJPG (Green)
MM WEB SMOJPI (Ivory)



GO-ANYWHERE®



Features

- Limited 10 year warranty
- Fire & rust-proof lid & bowl made from porcelain-enamelled steel
- 2 rust-proof vents regulate airflow
- Heavy duty cooking grate
- 3 weather-proof handles
- Pivoting legs lock the lid in place for carrying

Specs

Exterior dimensions

Height 37cm
Width 53cm
Depth 31cm

Cooking area:
1025cm² / 160inch²

Code

MM WEB GOA

FIND THE NEW PRODUCTS ON LINE

www.mansuetomarine.it



**COMPACT®**

Features

- 47cm and 57cm sizes available
- Limited 10 year warranty
- Fire & rust-proof lid & bowl made from porcelain-enamelled steel
- Rust-proof removable ash catcher
- Heavy duty cooking grate
- Weather-proof handle with protective heat shield
- Rust-proof vent regulates airflow
- Crack-proof all weather wheels
- Includes charcoal measuring cup

Specs

Exterior Dimensions

47cm
Height 88cm
Width 53cm
Depth 54cm
Cooking Area 1735cm² / 269inch²

57cm
Height 96cm
Width 58cm
Depth 66cm
Cooking Area 2552cm² / 369inch²

Code

MM WEB COM

**ONE-TOUCH® ORIGINAL**

Features

47cm and 57cm sizes available.

- Limited 10 year warranty
- Fire and rust-proof lid and bowl made from porcelain-enamelled steel
- Rust-proof removable ash catcher
- Heavy duty cooking grate
- Weather-proof handle with protective heat shield
- Crack-proof all weather wheels
- Rust-proof vents regulate airflow
- One-Touch™ cleaning system
- Includes charcoal measuring cup

Specs

Exterior Dimensions

47cm
Height 91cm
Width 53cm
Depth 51cm

Cooking Area
1735cm² / 269inch²

57cm
Height 99cm
Width 59cm
Depth 66cm

Cooking Area
2552cm² / 369inch²

Codes

MM WEB ONETOB (Black)
MM WEB ONETOG (Green)
MM WEB ONETOI (Ivory)

**ONE-TOUCH® PREMIUM 67CM**

Features

- Limited 10 year warranty
- Fire and rust-proof lid and bowl made from porcelain-enamelled steel
- Lid mounted thermometer
- Rust-proof removable ash catcher
- Rust-proof vent with heat resistant plastic handle
- Stainless steel One-Touch cleaning system
- Heavy duty, hinged cooking grate
- 2 Char-Basket™ fuel holders
- Tuck-Away™ lid holder
- Crack-proof all weather wheels with new style wheel cover
- Weather-proof handle with protective heat shield
- Includes charcoal measuring cup

Specs

67cm
Exterior Dimensions
Height 110cm
Width 70cm
Depth 81cm

Cooking Area 3526cm² / 547inch²

Code

MM WEB ONETOP67

**ONE-TOUCH® DELUXE**

Features

- Limited 10 year warranty
- Fire and rust-proof lid and bowl made from porcelain-enamelled steel
- Lid mounted thermometer
- Rust-proof removable ash catcher
- Rust-proof vent with heat resistant plastic handle
- Stainless steel One-Touch™ cleaning system
- Heavy duty, hinged cooking grate
- 2 Charcoal rails
- Crack-proof all weather wheels with new style wheel cover
- Weather-proof handle
- 2 integrated heat resistant side tables
- 6 tool holders
- Charcoal measuring cup

Specs

Exterior Dimensions
Height 104cm
Width 127cm
Depth 61cm

Cooking Area
2552cm² / 369inch²

Code

MM WEB ONETOD

**PERFORMER® WITH GAS IGNITION**

Features

The connoisseur's choice, with a host of extra features, including gas ignition so you can throw out those matches!

- Limited 10 year warranty
- Touch-N-Go™ gas ignition system
- Fire and rust-proof lid and bowl made from porcelain-enamelled steel
- Rust-proof vent with heat resistant plastic handle
- Lid mounted thermometer
- Tuck-away™ lid holder
- Rust-proof removable ash catcher
- Stainless steel One-Touch™ cleaning system
- Heavy duty, hinged cooking grate
- Lockable castors
- Crack-proof all weather wheels with new style wheel cover
- Weather-proof handle with protective heat shield
- Integrated heat resistant work top
- 3 tool holders, useful storage shelf, control panel
- Charcoal measuring cup

Specs

Exterior Dimensions
Height 125cm
Width 128cm
Depth 74cm

Cooking Area
2552cm² / 369inch²

Code

MM WEB PERF

**SMOKEY MOUNTAIN COOKER™**

Features

- 47cm and 57cm sizes available
- Limited 10 year warranty
- Fire and rust-proof lid and bowl made from porcelain-enamelled steel
- Lid mounted thermometer
- Rust-proof vents ensure delicious results
- Heat deflector
- 2 heavy duty, cooking grates
- 2 weather-proof handles
- 47cm model only has one handle

Specs

47cm
Exterior Dimensions
Height 104cm
Width 50cm
Depth 48cm

Cooking Area 3103cm² / 480inch²

57cm
Exterior Dimensions
Height 124cm
Width 59cm
Depth 65cm

Cooking Area 4683cm² / 725inch²

Code

MM WEB SMOMC



RANCH® KETTLE



Features

- Limited 10 year warranty
- Fire and rust-proof lid and bowl made from porcelain-enamelled steel
- Rust-proof removable ash catcher
- Rust-proof vent
- Heavy duty, hinged cooking grate
- Tuck-Away™ lid holder
- Heavy-duty locking castors
- Heavy-duty steel cart
- 3 tool holders
- 2 Charcoal rails
- Crack-proof all weather wheels

Specs

Exterior Dimensions
Height 107cm
Width 96cm
Depth 114cm

Cooking Area 7123cm² / 1104inch²

Code

MM WEB RANK

COFFEE MACHINES



SUPER AUTOMATIC PLUS 5

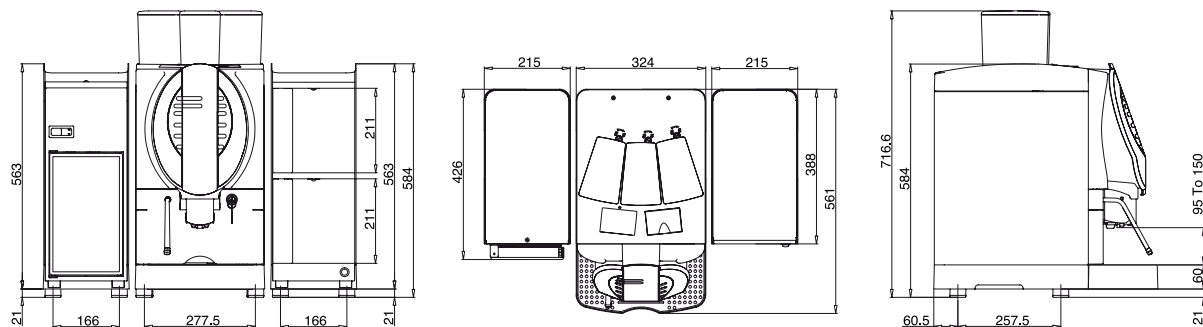


Technical Features

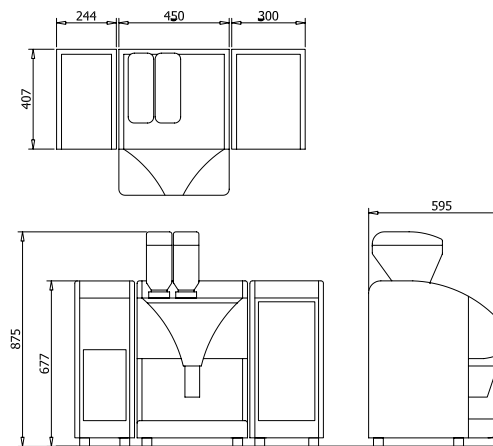
- Stainless steel coffee boiler: 1 L capacity
- Stainless steel steam boiler: 1 L capacity
- Power supply: 230 V 1 N or 120 V
- Power rating: 1.200+1.800+150W
- Net weight: 43 kg - Gross weight: 50 kg
- Daily capacity: 200 beverages
- Per minute capacity: 2 espresso - 1 coffee - 1 cappuccino - 1 chocolate - 1 tea cup
- Water tank capacity: 5 L

Code

MM LSM PLUS5



SUPER AUTOMATIC PLUS 10



Technical Features

- Full Automatic coffee machine
- Hourly capacity: up to 240 coffee cups
- Two bean hoppers of 1,3 Kg. capacity each
- Automatic milk frother for milk foaming and steaming - double outlet included
- Single and double dose for 8 main selection buttons, programmable as desired for any coffee and milk-based drink such as espresso, espresso macchiato, coffee, cappuccino, caffelatte, latte, latte macchiato
- Height of coffee output adjustable up to 180 mm
- Hot water and steam to customize and prepare additional beverages on the side
- Decaf inlet
- Extra hot water volume delivered directly into coffee cups (bypass)
- Automatic self cleaning functions for the coffee group and the milk frother
- Spent grounds bin: over 100 coffee grounds
- Control of number of deliveries with possibility of machine shutdown
- Coffee boiler (1,8 lt.) 2000 W - higher power on demand 2800 W
- Steam boiler (4 lt.) 3500 W - higher power on demand 4500 W
- Other components 980 W
- Possibility setting two boilers heated in alternated or in combined function
- 230 Volt 50/60 Hz monophase/triphase - 400 Volt 50/60 Hz triphase
- Weight. 53 kg
- ETL certified

Code

MM LSM PLUS10



80 PREZIOSA CHROMED



Technical Features

- Body made of chromed, hammered and polished brass.
- Available in two versions: semi-automatic (80 - Preziosa - 12) - automatic (80 - Preziosa - 16M)
- External motor-pump on all models.
- Both models have steam and hot water valves.
- Autofill device (automatic water level system) standard.
- Semi-automatic version (80 - Preziosa - 12): coffee served by pressing an electric START/STOP button. Automatic version (80 - Preziosa - 16M): electronic dosing system with setting of 4 different coffee dosings for each group.
- Optional: water-softener, gas heating system.

Code	Model	No. of brewing units	Boiler capacity (L)	Power consumption (W)		Pump	Weight (kg)	Dimensions (mm)		
				Single ph.	Tri-ph.			A	B	C
MM LSM 80C12	80 Preziosa 12	2	12	3500/4500	3500/4500	300	80	780	530	880
MM LSM 80C16M	80 Preziosa 16M	3	19	5500/7000	5500/7000	300	89	970	530	880



80 PREZIOSA



Technical Features

- Body fully made of painted, hammered and polished brass.
- Available in two versions:
 - semi-automatic (80 - Preziosa - 12)
 - automatic (80 - Preziosa - 16M)
 Both models have steam and hot water valves and external motor-pump.
- Autofill device (automatic water level system):
 - optional in the semi-automatic version (80 -Preziosa - 12); standard in the automatic version (80 - Preziosa - 16M).
- Semi-automatic version (80 - Preziosa - 12): coffee served by pressing an electric START/STOP button.
- Automatic version (80 - Preziosa - 16M): electronic dosing system with setting of 4 different coffee dosings for each group.
- Optional: water-softener, gas heating system.

Code	Model	No. of brewing units	Boiler capacity (L)	Power consumption (W)			Weight (kg)	Dimensions (mm)		
				Power connection		Pump		A	B	C
				Single ph.	Tri-ph.					
MM LSM 8012	80 PREZIOSA 12	2	12	3000	3000	300	80	780	530	855
MM LSM 8012	80 PREZIOSA 12	3	19	4000 - 4500	4500	300	89	970	530	1065
MM LSM 8016M	80 PREZIOSA 16M	2	12	3000	3000	300	80	780	530	855
MM LSM 8016M	80 PREZIOSA 16M	3	19	4000 - 4500	4500	300	89	970	530	1065



85 FLEXA E



Technical Features

- 5 litres internal tank
- Two stainless steel boilers (coffee boiler and water/steam boiler)
- Two vibrating pumps
- Two water softeners (one for each boiler) inside the tank
- Electronic temperature regulation by probe and modification of setting by keypad
- Single and double programmable coffee doses and semiautomatic function
- Pre-infuser P function
- Available version with autofill to connect to waterworks

COLOURS



Code	Model	No. of brewing units	Boiler capacity (L)	Power consumption (W)			Weight (kg)	Dimensions (mm)		
				Power connection		Pump		A	B	C
				Single ph.	Tri-ph.					
MM LSM 85FLEXAE	85 FLEXA E	1	2 - 0,45	2000	50 - 50	39	380	545	470	



NEW 85 S



COLOURS



Technical Features

- Autofill: standard
- External motor-pump: standard (except on 85 sprint s)
- Built-in motor-pump: optional (on 2 - 3 - 4 group models)
- Electric cup warmer: optional (on 2 - 3 - 4 group models)
- Gas heating: optional (on 2 - 3 - 4 group models)
- Cup holder: optional (on 2 - 3 - 4 group models)

Code	Model	No. of brewing units	Boiler capacity (L)	Power consumption (W)				Weight (kg)	Dimensions (mm)		
				Power connection		Pump	Cup heater (optional)		a	b	c
				Single ph.	Tri-ph.						
MM LSM 85PS	85 PRACTICAL S	1	4,9	1750	-	275	-	39	380	545	470
MM LSM 85SPS	85 SPRINT S	2	4,9	3500	4500	275	-	56	630	545	470
MM LSM 85S	85 S	2	12	3500/4500	3500/4500	300	200	60	720	545	470
		3	19	5500/7000	5500/7000	300	200	74	960	545	470
		4	25	7000	7000/9000	300	280	94	1200	545	470



NEW 85 E



COLOURS



Technical Features

- Autofill: standard
- External motor-pump: standard (except on 85 SPRINT E)
- Built-in motor-pump: optional (on 2 - 3 - 4 group models)
- Electric cup warmer: optional (on 2 - 3 - 4 group models)
- Gas heating: optional (on 2 - 3 - 4 group models)
- Cup holder: optional (on 2 - 3 - 4 group models)

Code	Model	No. of brewing units	Boiler capacity (L)	Power consumption (W)				Weight (kg)	Dimensions (mm)		
				Power connection		Pump	Cup heater (optional)		a	b	c
				Single ph.	Tri-ph.						
MM LSM 85PE	85 PRACTICAL E	1	4,9	1750	-	275	-	39	380	545	470
MM LSM 85SPE	85 SPRINT E	2	4,9	3500	4500	275	-	56	630	545	470
MM LSM 85E	85 E	2	12	3500/4500	3500/4500	300	200	60	720	545	470
		3	19	5500/7000	5500/7000	300	200	74	960	545	470
		4	25	7000	7000/9000	300	280	94	1200	545	470

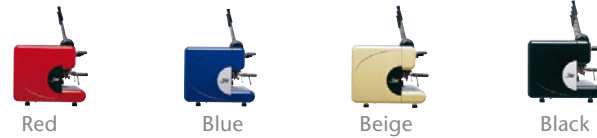


LEVA



Technical Features

- Traditional lever type group for the specialist.
- The required water pressure is provided by lowering the lever and allowing it to return slowly to its original position.
- Quick acting steam and hot water valves and cupwarmer valve.
- AUTOFILL (automatic loading of water into boiler): on request.



COLOURS

Code	Model	No. of brewing units	Boiler capacity (L)	Power consumption (W)			Weight (kg)	Dimensions (mm)		
				Power connection		Pump		A	B	C
				Single ph.	Tri-ph.					
MM LSM LEVA2	LEVA-2	2	12	3500 - 4500	3500 - 4500	-	67	720	543	455+345
MM LSM LEVA3	LEVA-3	3	19	5500 - 7000	5500 - 7000	-	82	960	543	455+345
MM LSM LEVA4	LEVA-4	4	25	7000	7000 - 9000	-	107	1200	543	455+345



100 TOUCH



Technical Features

- Models: from 1 to 4 groups and compact model 2 groups (100 sprint t)
- 6 Programmable coffee doses for every group with semiautomatic function
- 2 Programmable water doses with semiautomatic function
- Mixer regulating water temperature (models 2-3-4 groups)
- Single group temperature setting by flow variator (100 t)
- Dtc system - dual temperature control (100 t dtc)
- Electronic autofill: standard
- Double protected working base
- Built-in motor pump (external on request models 2-3-4 groups)
- Higher power heating elements: optional (models 2-3-4 groups)
- Cup warmer with thermostat: optional (models 2-3-4 groups)
- Automatic steam wand with milk temperature regulation:
- Optional (for models 2-3-4 groups)



COLOURS

Code	Model	No. of brewing units	Boiler capacity (L)	Power consumption (W)			Weight (kg)	Dimensions (mm)			
				Power connection		Pump		Cup heater (optional)	a	b	c
				Single ph.	Tri-ph.						
MM LSM 100PT	100 PRACTICAL T	1	3	2000	-	275	-	39	410	570	515
MM LSM 100ST	100 SPRINT T	2	5	3000	4500	275	-	56	650	570	515
MM LSM 100T	100 TOUCH	2	12	3500 - 4500	3500 - 4500	300	200	60	735	570	515
		3	19	5500	5500 - 7000	300	200	74	975	570	515
		4	25	-	7000 - 9000	300	280	94	1215	570	515



SERIES NEW 105



Technical Features

- Models: from 1 to 4 groups and compact model 2 groups (105 Sprint E – 105 Sprint S)
- 4 programmable coffee doses for every group with semiautomatic function (105 E)
- 2 programmable water doses with semiautomatic function (105 E)
- Mixer regulating water temperature (105 E)
- Single group semiautomatic function (105 S)
- Single group temperature setting by flow variator (105 E – 105 S)
- DTC system - dual temperature control (105 E DTC – 105 S DTC)
- Electronic autofill: standard
- Built-in motor pump (external on request models 2-3-4 groups)
- Higher power heating elements: optional (models 2-3-4 groups)
- Cup warmer with thermostat: optional (models 2-3-4 groups)
- Metallized colours: anthracite, grey, red, sky blue



COLOURS

Code	Model	No. of brewing units	Boiler capacity (L)	Power consumption (W)			Weight (kg)	Dimensions (mm)			
				Power connection		Pump		Cup heater (optional)	A	B	C
				Single ph.	Tri-ph.						
MM LSM 105PES	NEW 105 PRACTICAL E/S	1	3	2000	-	275	-	39	410	570	515
MM LSM 105SES	NEW 105 SPRINT E/S	2	5	3000	4500	275	-	56	650	570	515
MM LSM 105ES	NEW 105 E/S	2	12	3500 - 4500	3500 - 4500	300	200	60	735	570	515
		3	19	5500 - 7000	5500 - 7000	300	200	74	975	570	515
		4	25	7000	7000 - 9000	300	280	94	1215	570	515

Fleet of 16 VANS and LORRIES
TO DELIVER EVERYWHERE IN THE SHORTEST TIME





SM 92 - SM 97 - SM TK INSTANT



Chromed

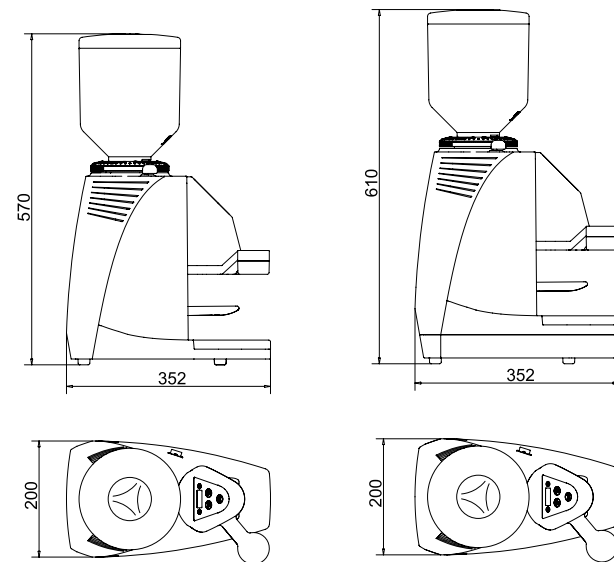
Technical Features

- On demand (fresh ground) dosing coffee grinders
- Electronic dose adjustment
- Micro switch on the filter cup holder adaptor for quick start (on request without micro switch for every selection required icon touch on screen)
- Coffee dose regulation by grinding time programming
- Continuous grinding function (max. 3 minutes).
- Single dose counter, double dose counter, total dose counter
- Tamper available in two interchangeable versions (on request without tamper)
- Hopper capacity 1,2 Kg
- Universal support for filter cup holder
- Standard colours: black, grey
- Chromed front on request
- Metalized colours: red, sky blue, anthracite, grey
- Chromed version
- Indicative grinding times (7,5 g. coffee dose)
SM 92 INSTANT: 3 s.
SM 97 INSTANT: 2,2 s.
SM TK INSTANT: 1,5 s.



Black Grey Red MT Sky Blue MT Anthracite MT Grey MT

COLOURS



Code	Model	Voltage volt	Frequency Hz	Motor speed RPM	Motor power (w)	Type of grinders	Grinding capacity k/g	Grinder size ømm	Grinder speed RPM	Noise level dB A	Weight (Kg)
MM LSM SM92	SM 92 INSTANT	110 V-I ~ 230 V-I ~ 240 V-I ~ 230/400 V-3N ~	60 50 50 50	1350	350	Flat	8,5	64	1350	72	13,8
MM LSM SM97	SM 97 INSTANT	110 V-I ~ 230 V-I ~ 240 V-I ~ 230/400 V-3N ~	60 50 50 50	880	460	Flat	13	84	880	69	13,8
MM LSM SMTK	SM TK INSTANT	230 V-I ~ 240 V-I ~ 230/400 V-3N ~	50 50 50	1350	650	Conical	18	/	400	68	17



LA CIBALI

S39 BARSYSTEM TOUCH TURBOSTEAM



Features

- Touch Screen (to select beverages)
- Drink selections: 3x6
- Hot water selections: 2
- Steam wands: Turbosteam
- Hot water wands: 1
- "Jug facility" and "Turbo" functions.
- ThermoDrive
- Smart boiler technology
- Boilers: 1
- Boiler capacity: 3 litres
- Grinder-dosers: 2
- Hoppers: 2
- Hopper capacity (kg): 2x1,2

Technical Data

Width mm 534
Depth mm 672
Height mm 841
Weight kg 75
Power at 220-240V~ 50Hz
3000-3600 W

Code

MM CMB S39BARSYS

LA CIBALI

S39 DOLCEVITA2 CAP+CAF



Features

- Drink selections ("2 x" thanks to the Shift push button): 16 or 2x14
- Hot water selections: 2
- Steam wands: 2
- Hot water wands: 1
- Cappuccino System with MilkPS
- Group diameter: mm 44
- ThermoDrive
- Smart boiler technology
- Service boilers: 1
- Service boiler capacity: 3,6 litres
- Coffee boilers: 2
- Coffee boilers capacity: 2x1.1 litres
- Grinder-dosers: 4 or 6
- Hoppers: 2+2 or 3+3
- Hopper capacity (kg): 4x1 or 4x1 + 2x0.8

Technical Data

Width mm 900
Depth mm 672
Height mm 841
Weight kg 135
Power at 380-415V3N~ 50Hz
8600-10200 W

Code

MM CMB S39DOLCE

LA CIBALI

M29 SELECT



Features

- Hot water selections: 1
- Steam wands: 2
- Hot water wands: 1
- Boiler capacity (litres): 5

Technical Data

Width mm 570
Depth mm 510
Height mm 480
Weight kg 56
Power at 220-240V~ 50Hz
3200-3700 W

Code

MM CMB M29SELECT

LA CIBALI

M32 BISTRÒ CAPPUCCINO TALL CUP



Features

- Hot water selections: 1
- Steam wands: 2
- Hot water wands: 1
- Smart boiler technology
- Cappuccino System
- Alphanumeric display
- Card reader

Technical Data

	DT1	DT2	Code
Width (mm)	380	580	MM CMB M32
Depth (mm)	510	510	
Height (mm)	485	485	
Weight (kg)	49	62	
Power at 220-240V~ 50Hz (W)	1900-2300	3200-3700	

LA CIBALI

M39 DOSATRON



Features	DT2	DT3	DT4	Code
• Hot water selections	2	2	2	MM CMB M39
• Steam wands	2	2	2	
• Hot water wands	1	1	1	
• Smart boiler technology				
• Boiler capacity (litres)	10	15	20	
• Graphic display				
• Front panel				
• Electric cup warmer (3 temperature settings)				
Technical Data	DT2	DT3	DT4	
Width (mm)	855	1055	1255	
Depth (mm)	570	570	570	
Height (mm)	565	565	565	
Weight (kg)	105	129	154	
Power at 380-415V3N~ 50Hz (W)	4500-5500	6700-8400	6700-8400	

LA CIBALI

M39 GT



Features	DT2	DT3	Code
• Hot water selections	2	2	MM CMB M39GT
• Steam wands	2+TS	2+TS	
• Hot water wands	1	1	
• Smart boiler technology			
• Boiler capacity (litres)	10	10	
• Independent coffee boilers	2	3	
• Independent coffee boiler capacity (cc)	400	400	
• Independent coffee boiler resistor (W)	800	800	
• Graphic display			
• Front panel			
• Electric cup warmer (3 temperature settings)			
Technical Data	DT2	DT3	
Width (mm)	855	1055	
Depth (mm)	570	570	
Height (mm)	565	565	
Power at 380-415V3N~ 50Hz (W)	6000-7100	6600-7900	

LA CIBALI

MAX



Features	Technical Data	Code
• Output / h kg 7,5	Width mm 225	MM CMB MAX
• Hopper capacity kg 1	Depth mm 360	
• Grinding burrs diameter mm 64	Height mm 470	
	Power at 220-240V~ 50Hz (W) 300	

LA CIBALI

MAGNUM ON DEMAND CONIC BURRS



Features	Technical Data	Code
• Output / h kg 11	Width mm 220	MM CMB MAGNUM
• Hopper capacity kg 1,6	Depth mm 400	
• Grinding burrs diameter mm 47	Height mm 620	
	Power at 220V~ 50Hz 300	

MANSUETO MARINE



FAEMA

EMBLEMA A



Features	A2	A3	A4	Code
• Hot water selections	2	2	2	MM FAE EMBLEMAA
• Steam wands	2	2	2	
• Hot water wands	1	1	1	
• Smart boiler technology				
• Boiler capacity (litres)	11	17,5	24,1	
• Adjustable thermal balancing system				
• Graphic display				
• Electric cup warmer (3 temperature settings)				
Technical Data	A2	A3	A4	
Width (mm)	800	1000	1200	
Depth (mm)	565	565	565	
Height (mm)	590	590	590	
Weight (kg)	105	129	154	
Power at 380-415V3N~ 50Hz (W)	4200-5000	5800-6900	5900-7000	

FAEMA

COMPACT ENOVA A1 (AUTOMATIC)



Features	Technical Data	Code
• Steam wands 1	Width mm 400	MM FAE ENOVA A1
• Hot water wands 1	Depth mm 563	
• Boiler capacity 5 litres	Height mm 516	
• Adjustable thermal balancing system	Weight kg 49	
	Power at 220-240V~ 50Hz (W) 3100-3600	

FAEMA

COMPACT ENOVA S1 (SEMI-AUTOMATIC)



Features	Technical Data	Code
• Steam wands 1	Width mm 400	MM FAE ENOVA S1
• Hot water wands 1	Depth mm 563	
• Boiler capacity 5 litres	Height mm 516	
• Adjustable thermal balancing system	Weight kg 49	
	Power at 220-240V~ 50Hz (W) 3100-3600	

FAEMA

COMPACT SMART A (AUTOMATIC)



Features	Technical Data	Code
• Steam wands 2	Width mm 656	MM FAE SMARTA
• Hot water wands 1	Depth mm 534	
• Boiler capacity 11 litres	Height mm 552	
	Weight kg 55	
	Power at 380-415V3N~ 50Hz (W) 4800 - 5660	

www.mansuetomarine.it



COMPACT SMART S (SEMIAUTOMATIC)



Features

- Steam wands 2
- Hot water wands 1
- Boiler capacity 11 litres

Technical Data

Width mm 656
 Depth mm 534
 Height mm 552
 Weight kg 55
 Power at 380-415V3N~ 50Hz
 (W) 4800 - 5660

Code

MM FAE SMARTS



MANSUETO MARINE



SMALL KITCHEN APPLIANCES

KitchenAid

ARTISAN STAND MIXER



Standard Features

- Full metal construction
- Robust, stable and durable
- Original planetary action
- Fast and thorough mixing
- Direct Drive
- Silent, reliable and long lasting
- Smooth rounded design
- Easy cleaning and usage
- Single Attachment Hub
- Bowl with ergonomic handle for a better grip and easy handling
- * 4,83L polished bowl with ergonomic handle and Pouring shield standard included
- ** Delivered with a 4,83L glass bowl and no polished bowl nor pouring shield (Candy Apple, Electric Blue and Black Storm)

Codes

MM KIT 5KSM150PS*
 MM KIT 5KSM156**

Technical Data

- Power (W): 300
- Voltage (V): 220 - 240
- Frequency (Hz): 50 / 60
- RPM: 58 - 220
- Product dimensions (HxLxD): 353x221x358 (mm)
- Packed dimensions (HxLxW): 419x279x414 (mm)
- Net Weight (kg): 11.3
- Gross weight (kg): 12.7
- Maximum capacity (Kg): 1.2kg of all-purpose flour or 1kg of whole wheat flour



Standard Accessories



Optional Accessories



Other optional available accessories

- Polished stainless steel bowl with ergonomic handle (4.30 L)
- 4.83 L polished bowl with ergonomic handle
- Flex edge beater
- Bowl cover
- Food Grinder
- Mixer Cover
- Ravioli maker
- Grain mill
- Can opener
- 4,83L Glass bowl
- Optional drums
- Food tray
- Citrus juicer
- Sausage stuffer
- Rotor vegetable slicer and shredder

www.mansuetomarine.it

Heavy duty Artisan Stand Mixer version and relative HD accessories also available.

For full range of Kitchen Aid small domestic appliances please inquire at info@mansuetomarine.it



Artisan Food Processor



Artisan Blender



Artisan Toaster



Artisan Burr Grinder



Artisan Espresso Maker



Artisan Waffle Baker



PACOJET SYSTEM



Code

MM PCJ 90170

Standard Features

- Versatile: suitable for processing all types of foods with delicious results (mousses, sauces and ice creams)
- It cuts, chops, minces, blends and whips fresh goods
- Minimal food preparation required
- No spoilage
- Compact
- Precisely Designed: powered by Swiss technology and ISO certified manufacturing

Technical Specifications

- Pacojet Dimensions: Width: 20 cm / 8 inch
Depth: 36 cm / 15 inch
Height: 50cm / 20 inch
- Voltage: 220-240 Volt / 50 cycle
220-240 Volt / 60 cycle
110-120 Volt / 60 cycle
- Rated Power: 1000 watt
- Blade Speed: 2000 rpm
- Air Pressure: 1.2 bar 17 lb. in.
- Net Weight: 14 kg / 30 lb
- Beaker Capacity: 1 litre / 1.2 quarts
Max. fill Volume: 0.8 litre / 28 fl. oz.
Diameter: 13cm / 5 inch
Height: 13.5cm / 5.2 inch
- Ideal Pacotizing temperature: -22°C / -8°F

Standard Accessories



Standard Pacotizing Blade



Spray Guard Assembly



Protective Outer Beaker



2 Chrome Steel Pacotizing Beakers with Airtight Lid



Cleaning Seal Ring



Reansing Ring



Cleaning Insert-Rotating Brushes



Spatula

Optional accessories

- Coupe Set
- Pacotizing Blade Gold Titanium-nitrate hardened
- Set of 4, 6 or 10 Chrome Steel Pacotizing Beakers incl. Airtight Lid

MANSUETO MARINE



FOOD PROCESSOR R201 ULTRA E

Code

MM RBC R201UE



- Cutter and vegetable slicer
- 2.9 litre stainless steel cutter bowl easy to clean.
- Net weight: 10 kg; Gross Weight 12 kg.
- Single phase: 230V/50Hz - 550W - 3,5 Amp. (other voltages available)
- Speed 1500 rpm
- LxWxH: 220x280x365 mm

Accessories



Fine Serrated and Coarse Serrated blade



Cuisine Kit 2 Functions: Coulis Maker and Citrus Press



Discs Collection 23 compatible models



Citrus Press



FOOD PROCESSOR R 301 ULTRA

Code

MM RBC R301U



- Cutter and vegetable slicer
- 3.7 litre stainless steel cutter attachment.
- Vegetable preparation attachment: 23 s/s discs selection
- Net weight: 15 kg; Gross Weight 18 kg.
- Single phase: 400 V/50Hz - 650W - 3 Amp. (other voltages available)
- Speed 1500 rpm
- LxWxH: 226x304x427 mm

Accessories



Fine Serrated and Coarse Serrated blade



Cuisine Kit 2 Functions: Coulis Maker and Citrus Press



Discs Collection 23 compatible models



Citrus Press



FOOD PROCESSOR R 502

Code

MM RBC R502



- Cutter and vegetable slicer
- 5.5 litre stainless steel cutter bowl.
- Vegetable preparation attachment: 48 metallic discs selection
- Net weight: 30 kg; Gross Weight 32 kg.
- Three phase: 400 V/50Hz - 1000W - 2,4 Amp.
- Speed 750/1500 rpm
- LxWxH: 280x350x480 mm

Accessories



Fine Serrated and Coarse Serrated blade



Discs Collection 23 compatible models

Other Robot Coupe appliances such as vertical cutter mixers, blixers, juicers available on request.

www.mansuetomarine.it

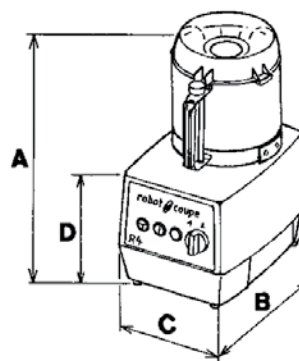


TABLE-TOP CUTTER MIXERS



Code	Model	Bowl capacity	Speed rpm	Motor base	Supply	Number of covers	Maximum quantities processed (kg)			
							Coarse mincing	Emulsion	Kneading	Grinding
MM RBC R2	R2	2,9 litres	1500	ABS	Single phase	10 - 20	0,75	1,0	0,5	0,3
MM RBC R31500	R3 - 1500	3,7 litres	1500	ABS	Single phase	10 - 30	1,0	1,5	1,0	0,5
MM RBC R33000	R3 - 3000	3,7 litres	3000	ABS	Single phase	10 - 30	1,0	1,5	1,0	0,5
MM RBC R4	R4	4,5 litres	1500 and 3000	Metallic	Three phase	10 - 50	1,5	2,5	1,3	0,9
MM RBC R41500	R4 - 1500	4,5 litres	1500	Metallic	Single phase	10 - 50	1,5	2,5	1,3	0,9
MM RBC R4VV	R4 V.V.	4,5 litres	300 to 3000	Metallic	Single phase	10 - 40	1,5	2,5	1,3	0,9
MM RBC R5Plus	R5 Plus	5,5 litres	1500 and 3000	Metallic	Three phase	20 - 80	2,0	3,0	2,0	1,0
MM RBC R5VV	R5 V.V.	5,5 litres	300 to 3000	Metallic	Single phase	20 - 80	2,0	3,0	2,0	1,0
MM RBC R6	R6	7 litres	1500 and 3000	Metallic	Three phase	20 - 100	2,0	3,5	2,0	1,0
MM RBC R6VV	R6 V.V.	7 litres	300 to 3000	Metallic	Single phase	20 - 100	2,0	3,5	2,0	1,0

Model	Electrical data				Dimensions mm				Weight kg	
	Speed (rpm)	Power (Watts)	Intensity (Amp.)	Voltage* (Amp.)	A	B	C	D	Net	Gross
R2	1500	550	3,5	230 V/50 Hz 1	350	280	200	165	10	12
R3 - 1500	1500	650	5,7	230 V/50 Hz 1	400	210	210	200	13	14
R3 - 3000	3000	650	4,8	230 V/50 Hz 1	400	210	210	200	13	14
R4	1500 and 3000	900	2,7	400 V/50 Hz 3	440	226	226	235	15	17
R4 - 1500	1500	700	2,7	230 V/50 Hz 1	440	226	226	235	15	17
R4 V.V.	300 to 3000	1 000	10	400 V/50 Hz 1	460	226	226	235	15	17
R5 Plus	1500 and 3000	1 200	3,5	400 V/50 Hz 3	490	350	280	265	24	26
R5 V.V.	300 to 3000	1 300	13	230 V/50 Hz 60 Hz /1	490	350	280	265	25	27
R6	1500 and 3000	1 300	3,4	400 V/50 Hz 3	520	350	280	265	25	27
R6 V.V.	300 to 3000	1 500	13	230 V/50 Hz 60 Hz/1	520	350	280	265	26	28



MANSUETO MARINE



ARTISAN GELATO - MAESTRO HDC



Technical Data

- Beater: 3 speeds
- Electrical spec.: 400 Volt, 50 Hz, 3Ph
- Rated Power: Maestro* 3,8 kw
Maestro** 5,0 kw
Maestro*** 7,2 kw
- Condenser: Water, Air available upon surcharge; Maestro*** water only
- Dimensions at the base cm: W.50 D.65 H.140
- Weight: Maestro* 240 kg
Maestro** 280 kg
Maestro*** 320 kg

Code	MM CRP MAESTROX		MM CRP MAESTROXX		MM CRP MAESTROXXX	
	maestro*		maestro**		maestro***	
	Quantity per cycle		Quantity per cycle		Quantity per cycle	
	Min	Max	Min	Max	Min	Max
Mix added kg	1,5*	5,0	2,5*	7,5	3,0*	10,5
Gelato made L	2,0	7,0	3,5	10,0	4,0	15,0
Granitas kg	2,0	4,0	3,5	6,5	5,0	10,0
Toppings kg	3,0	6,0	4,5	9,0	6,0	10,0
Creams kg	3,0	6,0	4,5	9,0	6,0	12,5
Chocolate tempering kg	2,5	5,0	5,0	10,0	7,5	12,5
Yogurt kg	2,5	6,0	3,0	10,0	5,0	12,0

Production varies according to the raw materials used
*Quantity is based on the "Excellent" cycle



PASTRY - PASTOCHEF RTL



Code	Model
MM CRP PASTO18RTL	Pastochef 18 RTL
MM CRP PASTO32RTL	Pastochef 32 RTL
MM CR PPASTO55RTL	Pastochef 55 RTL

Model	Production in 2 hours Litres	Confectioners' Custard		Chocolate		Power supply*			Installed power kW	Condenser**	Dimensions at the base cm			Net Weight kg
		Min. kg	Max kg	Min. kg	Max kg	Volt	Cycles	Phases			Width	Depth	Height	
Pastochef 18 RTL	15	7	15	5	12,5	230/400	50	3	2,1	Water	45	61,4	111	150
Pastochef 32 RTL	30	15	30	7,5	25	230/400	50	3	4	Water	65,8	71,6	111	198
Pastochef 55 RTL	50	25	50	10	40	230/400	50	3	5,6	Water	65,8	72	119	251

* Other voltages and cycles are available with additional charge

** Air-cooled versions available with additional charge

For full range of Carpigiani heavy duty appliances (for whipped cream, pastry, shakes, ice creams production) please visit www.carpigiani.com and contact us at info@mansuetomarine.it for quotes, orders and further details.

www.mansuetomarine.it

COOKING

AVAILABLE 110/120V 60HZ and 220/240V 50HZ - MORE PRODUCTS AVAILABLE UPON REQUEST

GAGGENAU

INDUCTION COOKTOP
CI 490112

Cooking zones

- 1 induction cooking zone ø 18 cm (1800 W, with booster 2500 W),
- 1 induction cooking zone ø 21 cm (2200 W, with booster 3300 W).
- 2 induction cooking zones ø 18 cm (1800 W, with booster 2500 W).
- 1 induction cooking zone ø 15 cm (1400 W, with booster 1800 W).

Code

MM GAG CI490112

GAGGENAU

INDUCTION COOKTOP -
CI 491112

Cooking zones

- 1 induction cooking zone ø 18 cm (1800 W, with booster 2500 W), automatically switches to ø 28 cm (2800 W, with booster 4400 W).
- 1 induction cooking zone ø 21 cm (2200 W, with booster 3300 W).
- 2 induction cooking zones ø 18 cm (1800 W, with booster 2500 W).
- 1 induction cooking zone ø 15 cm (1400 W, with booster 1800 W).

Code

MM GAG CI491112

GAGGENAU

INDUCTION COOKTOP -
CI 262102

Cooking zones

- 1 induction cooking zone ø 18 cm (1800 W, with booster 2500 W), automatically switches to ø 28 cm (2800 W, with booster 4400 W).
- 1 induction cooking zone ø 21 cm (2200 W, with booster 3300 W).
- 1 induction cooking zone ø 15 cm (1400 W, with booster 1800 W).

Code

MM GAG CI262102

GAGGENAU

INDUCTION COOKTOP -
CI 261102

Cooking zones

- 1 induction cooking zone ø 18 cm (1800 W, with booster 2500 W), automatically switches to a 18 x 28 cm roasting zone (2000 W, with booster 2600 W).
- 1 induction cooking zone ø 21 cm (2200 W, with booster 3300 W).
- 2 induction cooking zones ø 15 cm (1400 W, with booster 1800 W).

Code

MM GAG CI261102

MANSUETO MARINE



GAGGENAU

GLASS CERAMIC COOKTOP
CE 491102

Cooking zones

- 2 Super-Quick cooking zones ø 18 cm (1800 W); together they convert to 18 x 41.5 cm (4400 W) roasting zone.
- 1 Super-Quick cooking zone ø 12 cm (750 W), converts to ø 21 cm (2200 W) cooking zone.
- 1 Super-Quick cooking zone ø 14.5 cm (1050 W), converts to ø 21 cm (2200 W) or ø 27 cm (3080 W) cooking zone.
- 1 Super-Quick cooking zone ø 14.5 cm (1200 W).

Code

MM GAG CE491102

GAGGENAU

COOKING ZONES GLASS
CERAMIC COOKTOP
CE 481102

Cooking zones

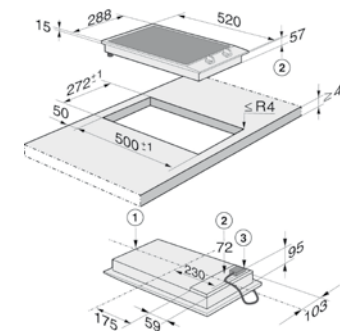
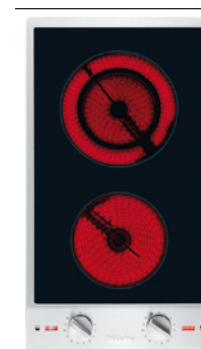
- 2 Super-Quick cooking zones ø 18 cm (1800 W); together they convert to 18 x 41.5 cm (4400 W) roasting zone.
- 1 Super-Quick cooking zone ø 14.5 cm (1050 W), converts to ø 21 cm (2200 W) or ø 27 cm (3080 W) cooking zone.
- 1 Super-Quick cooking zone ø 14.5 cm (1200 W).

Code

MM GAG CE481102

Miele

CS 1112 230/240V 50/60HZ



Code

MM MIE CS1112

Key design features

- Solid stainless steel frame
- Glass ceramic in LightPrint
- Solid metal knob
- Embossed Miele Logo

Performance

- Front 145 mm Ø, 1200 W
- Rear 100/180 mm Ø, 600/1800 W
- 12 power settings

Cut-out dimensions

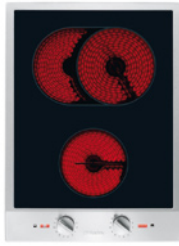
Width: 272 mm
Depth: 500 mm

GET APP!



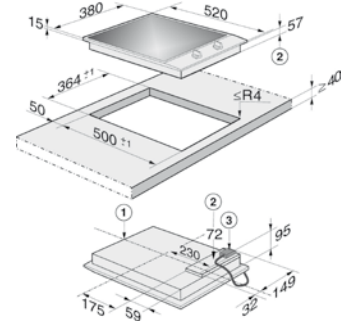
Download our App and get your quote within 24 hours!

www.mansuetomarine.it

Miele**CS 1122 230/240V 50/60HZ**

Key design features

- Solid stainless steel frame
- Glass ceramic in LightPrint
- Solid metal knob
- Embossed Miele Logo



Performance

- Front 145 mm Ø, 1200 W
- Rear 180/265 mm Ø, 1500/2400 W
- 12 power settings

Code

MM MIE CS1122

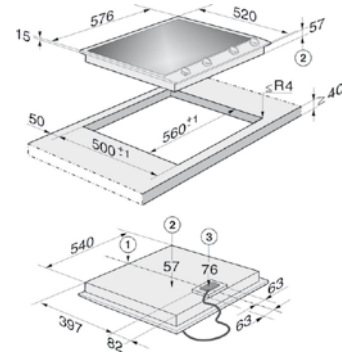
Cut-out dimensions

Width: 364 mm
Depth: 500 mm

Miele**CS 1234 I 230/240V 50/60HZ**

Key design features

- Solid stainless steel frame
- Glass ceramic in LightPrint
- Solid metal knob
- Embossed Miele Logo



Performance

- Front left 100-200 mm Ø, 1850 W, Booster 2900 W
- Front right 100-160 mm Ø, 1400 W, Booster 1800 W
- Rear left 100-200 mm Ø, 1850 W, Booster 2900 W
- Rear right 160-230 mm Ø, 2300 W, Booster 3000/3700 W
- 12 power settings (power settings 1-9 and Booster 1-2 as well as heat maintaining function)

Code

MM MIE CS1234

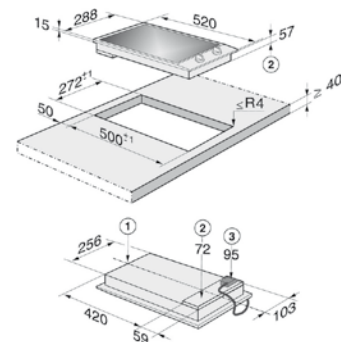
Cut-out dimensions

Width: 560 mm
Depth: 500 mm

Miele**CS 1212 I 230/240V 50/60HZ**

Key design features

- Solid stainless steel frame
- Glass ceramic in LightPrint
- Solid metal knob
- Embossed Miele Logo
- Metal control knob on a declined control panel



Performance

- Front 100-160 mm Ø, 1400 W, Booster 1800 W
- Rear 160-230 mm Ø, 2300 W, Booster 3000 W/3700 W
- 12 power settings (power settings 1-9 and Booster 1-2 as well as heat maintaining function)

Code

MM MIE CS1212

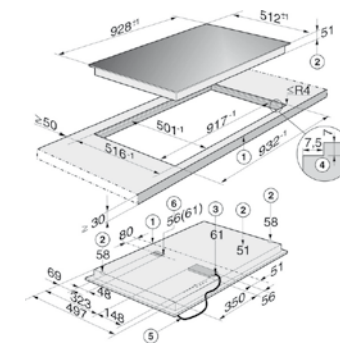
Cut-out dimensions

Width: 272 mm
Depth: 500 mm

**Miele****KM 6383 230V 50/60HZ**

Key design features

- Flush fit
- Basalt grey décor



Cooking zones

- 5 induction zones with auto heat-up
- All zones are Vario zones with pan/pan size recognition and warming function
- All zones feature booster function, 2 feature TwinBoosters
- Front left 160-230 mm Ø, 2300 W, TwinBooster 3000/3700 W
- Rear links 100-160 mm Ø, 1400 W, booster 1800 W
- Centre 180-280 mm Ø, 2400 W, TwinBooster 3000/3700 W
- Rear right 140-200 mm Ø, 1850 W, booster 2900 W
- Front right 140-200 mm Ø, 1850 W, booster 2900 W
- Total connected load: 11,10 kW

Code

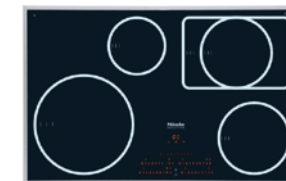
MM MIE KM6383

Cut-out dimensions

Width: 932 mm
Depth: 516 mm

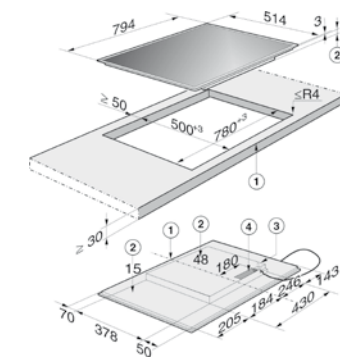
External appliance dimensions

Width: 928 mm
Depth: 512 mm

Miele**KM 6350 230V 50/60HZ**

Key design features

- Onset frame with concealed silicone joint
- Basalt grey décor



Cooking zones

- 4 induction zones with auto heat-up
- All are Vario zones with pan/pan size recognition and warming function,
- 1 roasting zone
- All zones feature booster function, 2 feature TwinBoosters
- Front left 180-280 mm Ø, 2600 W, TwinBooster 3000/3700 W
- Rear left 100-160 mm Ø, 1400 W, booster 2200 W
- Rear right 140-200 mm Ø, 1850 W, booster 3000 W
- Roasting zone 300 x 200 mm Ø, 2300 W,
- TwinBooster 3000/3700 W
- Front right 140-200 mm Ø, 1850 W, booster 3000 W
- Total connected load: 7,40 kW

Code

MM MIE KM6350

Cut-out dimensions

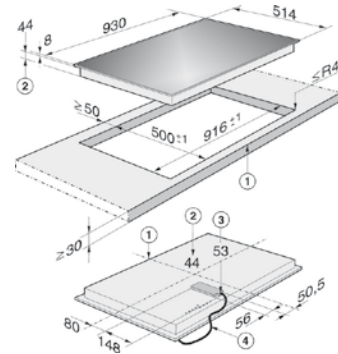
Width: 780 mm
Depth: 500 mm

External appliance dimensions

Width: 794 mm
Depth: 514 mm

Miele

KM 5773 240V 50/60HZ



Key design features

- Smaller, raised frame
- Dark gray decor

Cooking zones

- 5 Cook zones with auto heat, all with Vario zone and cookware recognition, all with booster function

Code

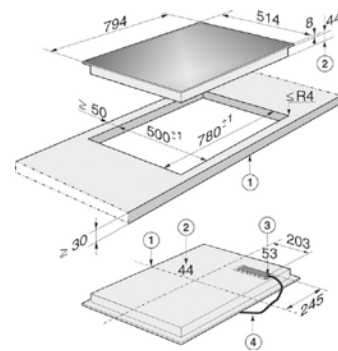
MM MIE KM5773

Cut-out dimensions

Width: 916 mm
Depth: 500 mm

Miele

KM 5753 240V 50/60HZ



Key design features

- Smaller, raised frame
- Dark gray decor

Cooking zones

- 4 Cookzones with auto heat, all with Vario zone with cookware recognition, all with booster-function

Code

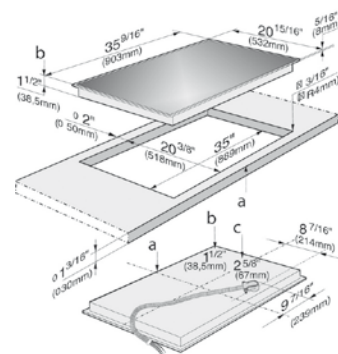
MM MIE KM5753

Cut-out dimensions

Width: 780 mm
Depth: 500 mm

Miele

KM 5676 240V 50/60HZ



Key design features

- Smaller, raised frame
- Dark gray decor

Cooking zones

- 5 Cook zones with auto heat, two as Vario cook zones and one as cook / intensive zone

Code

MM MIE KM5676

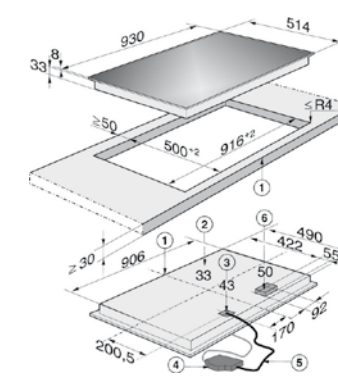
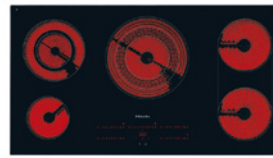
Cut-out dimensions

Width: 36 inch



Miele

KM 5864 230V 50/60HZ



Key design features

- Narrow, protruding frame
- Decor basalt grey

Cooking zones

- 5 HiLight rings with AutoBoost, thereof 1 vario zone,
- 1 ring as triple circuit ring and 2-ring racetrack burner
- Front left: 210/120 mm Ø, 2200/750 W
- Rear left: 145 mm Ø, 1200 W
- Rear right: 180 mm Ø, 1800 W
- Front right: 180 mm Ø, 410 mm wide, 1800/3900 W
- Centre: 210/120/145 mm Ø, 3200/2050/1050 W

Code

MM MIE KM5864

Cut-out dimensions

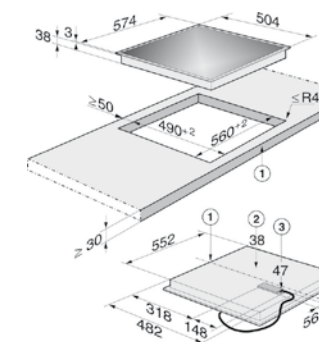
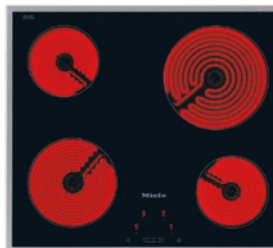
Width: 916 mm
Depth: 500 mm

External appliance dimensions

Width: 930 mm
Depth: 514 mm

Miele

KM 5600 230V 50/60HZ



Key design features

- Wide on-set frame
- Decor basalt grey

Cooking zones

- 4 HiLight zones with auto heat-up
- Front left 180 mm Ø, 1800 W<(>,<)>
- Rear left 145 mm Ø, 1200 W<(>,<)>
- Rear right 210 mm Ø, 2200 W<(>,<)>
- Front right 145 mm Ø, 1200 W

Code

MM MIE KM5600

Cut-out dimensions

Width: 560 mm
Depth: 490 mm

External appliance dimensions

Width: 574 mm,
Depth: 504 mm

BIG QUANTITIES
SMALL PRICES

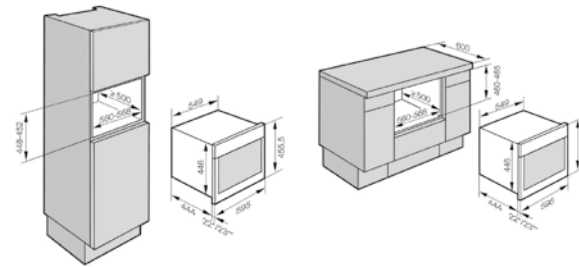
info@mansuetomarine.it

www.mansuetomarine.it

MANSUETO MARINE

Miele

MIELE OVEN DG 5051



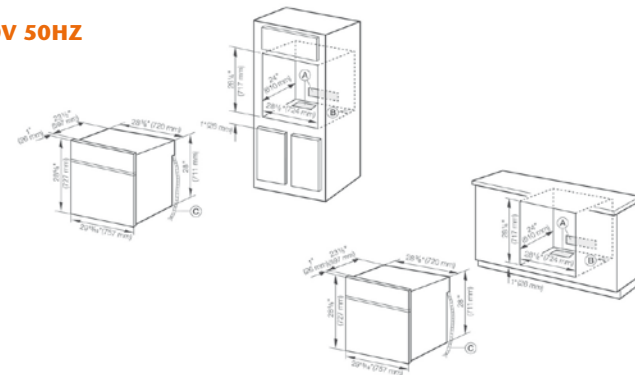
Oven cavity

- 30 lt. Stainless steel oven cavity
- 4 oven racks

Code
MM MIE DG5051

Miele

H 4882 BP SINGLE OVEN 230V 50HZ



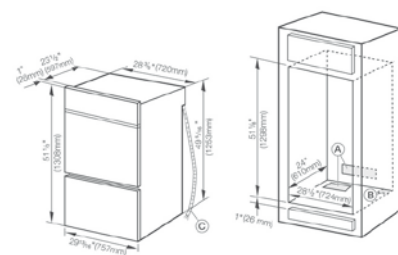
Oven cavity

- 90 l capacity on 5 shelf levels
- Perfect Clean-Side runners with quick release knobs
- Dual halogen lighting

Code
MM MIE H4882BP

Miele

H 4892 BP DOUBLE OVEN 220V 60HZ



Oven cavity

- 90 l capacity on 5 shelf levels
- Perfect Clean-Side runners with quick release knobs
- Dual halogen lighting

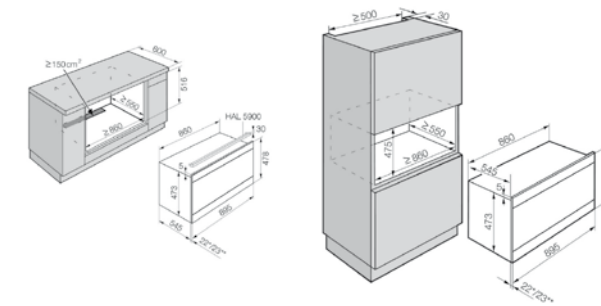
Code
MM MIE H4892BP

FOLLOW US ON **Twitter!**
www.twitter.com/mansuetomarine



Miele

MIELE OVEN H 5981 BP 220V 60HZ



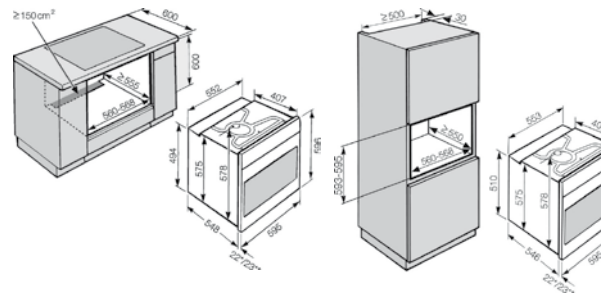
Oven cavity

- XXL-Large oven cavity with 80 liter useable volume and 3 slide in's
- Perfect Clean-Side runners with quick release knobs
- Twin Power-Hot air blower
- Quadruple halogen lighting with dimmer

Code
MM MIE H5981BP

Miele

MIELE OVEN H 5681 BP 230V 50HZ



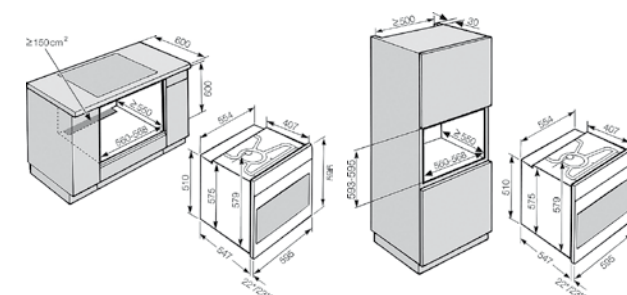
Oven cavity

- Large oven cavity with 66 liter useable volume and 5 slide in's
- Perfect Clean-Side runners with quick release knobs
- Triple halogen lighting

Code
MM MIE H5681BP

Miele

MIELE OVEN H 6860 BP 230V 50HZ



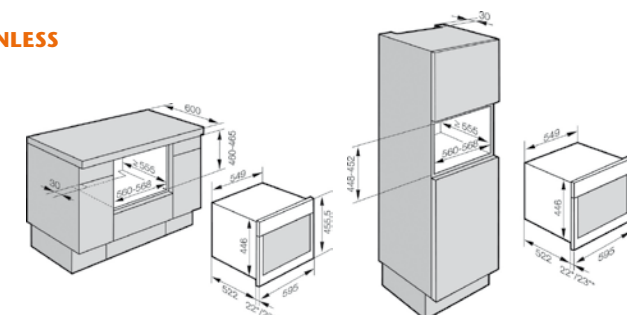
Oven cavity

- 76-liter cavity with 5 runner levels
- PyroFit grille
- Triple halogen lighting

Code
MM MIE H6860BP

Miele

MIELE OVEN DGC 5080 STAINLESS



Oven cavity

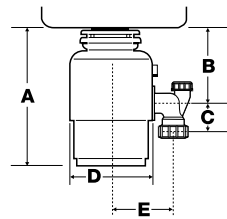
- 30 lt. Perfect Clean Stainless Steel-Oven Cavity
- 6 oven racks

Code
MM MIE DGC5080

FOOD WASTE DISPOSERS



MODEL 45



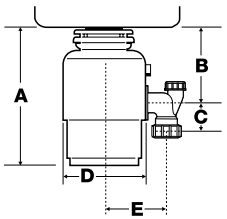
Code	Dimensions (mm)				
	A	B	C	D	E
MM INS E45	318	168	64	159	131

Volts/Hz	HP	RPM	Average Load
120V, 60 Hz	.50	1725	7.1 A
220-240V, 50 Hz	.50	1425	370 W
220-240V, 60 Hz	.50	1725	370 W

Specifications			
Type of Feed	Continuous	Grind Technology	1-Stage Grind Technology
On/Off Control	Wall Switch	Grind Chamber Capacity	980 ml
Motor	Single Phase	Motor Protection	Manual Reset Overload
Time Rating	Intermittent	Average Water Usage	5 Litres Per Household Each Day
Lubrication	Permanently Lubricated Upper & Lower Bearings	Average Electrical Usage	2-3 kWh per Annum
Shipping Weight (Approx.)	7.0 kg	Drain Connection	1-1/2" (3.81 cm)
Overall Height	318 mm	Dishwasher Drain Connection	Yes



MODEL 55



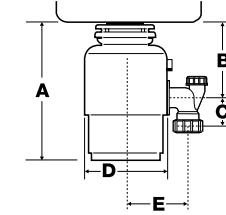
Code	Dimensions (mm)				
	A	B	C	D	E
MM INS E55	318	168	64	173	131

Volts/Hz	HP	RPM	Average Load
120V, 60 Hz	.55	1725	7.1 A
220-240V, 50 Hz	.55	1425	370 W
220-240V, 60 Hz	.55	1725	370 W

Specifications			
Type of Feed	Continuous	Grind Technology	1-Stage Grind Technology
On/Off Control	Wall Switch	Grind Chamber Capacity	980 ml
Motor	Single Phase	Motor Protection	Manual Reset Overload
Time Rating	Intermittent	Average Water Usage	5 Litres Per Household Each Day
Lubrication	Permanently Lubricated Upper & Lower Bearings	Average Electrical Usage	2-3 kWh per Annum
Shipping Weight (Approx.)	7.2 kg	Drain Connection	1-1/2" (3.81 cm)
Overall Height	318 mm	Dishwasher Drain Connection	Yes



MODEL 65



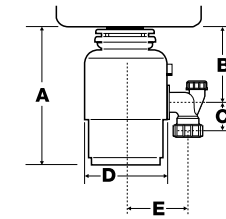
Code	Dimensions (mm)				
	A	B	C	D	E
MM INS E65	318	168	64	185	131

Volts/Hz	HP	RPM	Average Load
120V, 60 Hz	.65	1725	8.1 A
220-240V, 50 Hz	.65	1425	405 W
220-240V, 60 Hz	.65	1725	405 W

Specifications			
Type of Feed	Continuous	Grind Technology	1-Stage Grind Technology
On/Off Control	Wall Switch or Built-In Air Switch	Sound Technology	Quiet Sink Baffle Sound Insulation
Motor	Single Phase	Grind Chamber Capacity	980 ml
Reversing	Auto-Reverse Grind System	Motor Protection	Manual Reset Overload
Time Rating	Intermittent	Average Water Usage	5 Litres Per Household Each Day
Lubrication	Permanently Lubricated Upper & Lower Bearings	Average Electrical Usage	2-3 kWh per Annum
Shipping Weight (Approx.)	8.2 kg	Drain Connection	1-1/2" (3.81 cm)
Overall Height	318 mm	Dishwasher Drain Connection	Yes



EVOLUTION® 100



Code	Dimensions (mm)				
	A	B	C	D	E
MM INS EVO100	312	171	64	205	168

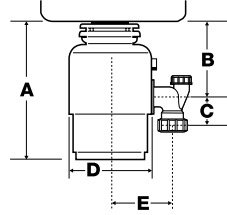
Volts/Hz	HP	RPM	Average Load
120V, 60 Hz	.75	1725	8.1 A
220-240V, 50 Hz	.70	1425	380 W
220-240V, 60 Hz	.70	1725	380 W

Specifications			
Type of Feed	Continuous	Grind Technology	2-Stage Grind Technology
On/Off Control	Wall Switch or Built-In Air Switch	Sound Technology	Anti-Vibration Mounting and Tailpipe Quiet Sink Baffle Multi-Layer Sound Insulation Stainless Steel Strainer Basket and Plug
Motor	Single Phase	Grind Chamber Capacity	1005 ml
Reversing	Auto-Reverse Grind System	Motor Protection	Manual Reset Overload
Time Rating	Intermittent	Average Water Usage	5 Litres Per Household Each Day
Lubrication	Permanently Lubricated Upper & Lower Bearings	Average Electrical Usage	2-3 kWh per Annum
Shipping Weight (Approx.)	8.8 kg	Drain Connection	1-1/2" (3.81 cm) Anti-Vibration (Hose Clamp)
Unit Finish	Black Enamel Gray TEN-1706	Dishwasher Drain Connection	Yes
Overall Height	312 mm		

FIND THE NEW PRODUCTS ON LINE
www.mansuetomarine.it



in sink erator®
EVOLUTION® 200



Code	Dimensions (mm)				
	A	B	C	D	E
MM INS EVO200	344	185	64	234	168

Volts/Hz	HP	RPM	Average Load
120V, 60 Hz	1.0	1725	10.2 A
220-240V, 50 Hz	.75	1425	380 W
220-240V, 60 Hz	.75	1725	370 W

Specifications			
Type of Feed	Continuous	Grind Technology	3-Stage Grind Technology Power Booster Circuit with Microprocessor Technology Included
On/Off Control	Wall Switch or Built-In Air Switch	Sound Technology	Anti-Vibration Mounting and Tailpipe Quiet Sink Baffle Multi-Layer Sound Insulation Stainless Steel Strainer Basket and Plug
Motor	Single Phase	Grind Chamber Capacity	1180 ml
Reversing	Auto-Reverse Grind System	Motor Protection	Manual Reset Overload
Time Rating	Intermittent	Average Water Usage	5 Litres Per Household Each Day
Lubrication	Permanently Lubricated Upper & Lower Bearings	Average Electrical Usage	2-3 kWh per Annum
Shipping Weight (Approx.)	11.6 kg	Drain Connection	1-1/2" (3.81 cm) Anti-Vibration (Hose Clamp)
Unit Finish	Stainless Steel Light Gray TEN-1706	Dishwasher Drain Connection	Yes
Overall Height	344 mm		

EASY ORDERS

CUSTOMER CONTACT CENTRE

www.mansuetomarine.it
+39 0184 573346



MANSUETO MARINE

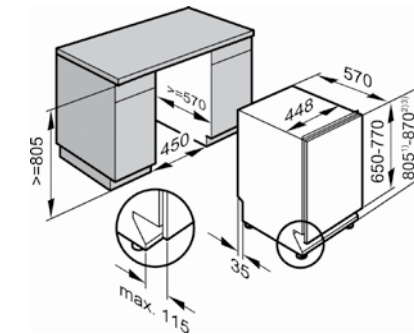


DISHWASHERS

AVAILABLE 110/120V 60HZ and 220/240V 50HZ - MORE PRODUCTS AVAILABLE UPON REQUEST

Miele

G 4570 SCVI

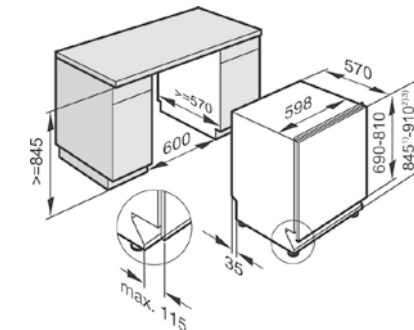


- Fully integrated dishwasher with stainless steel control panel
- Appliance Dimensions: width/height/depth 45x81x57 cm

Code
MM MIE G4570SCVI

Miele

G 5175 SCVI XXL

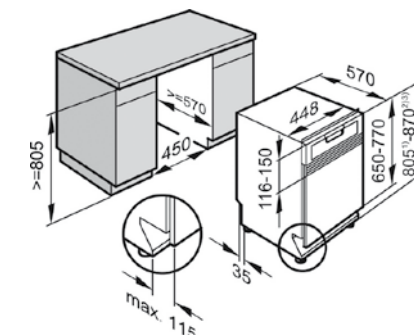
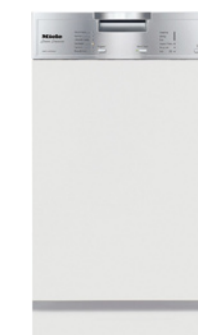


- Fully integrated
- Accepts custom door panel
- Prefinished: stainless steel front panel with Profi-Handle ex factory

Code
MM MIE G5175SCVIXXL

Miele

G 4500 SCI



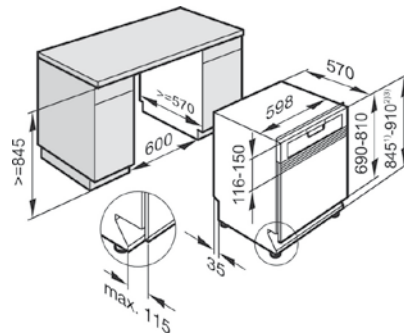
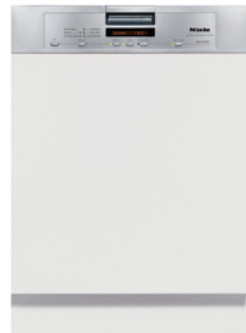
- Integrated model, prefitted with CleanSteel fascia panel, optional Brilliant white or Black available at an additional cost
- Appliance Dimensions: width/height/depth 60x85x57 cm

Code
MM MIE G4500SCI

www.mansuetomarine.it

Miele

G 5705 SCI XXL



- Integrated model, prefitted with CleanSteel fascia panel, optional Brilliant white or Black available at an additional cost
- Appliance Dimensions: width/height/depth 60x85x57 cm

Code
MM MIE G5705SCIXXL

NOTHING IS DIFFICULT
TO THOSE WHO HAVE
THE SUPERPOWERS

CALL YOUR MAN ANYWHERE



CAPTAIN MARINE STORE

www.captainmarine.it



WASHING MACHINES & DRYERS

AVAILABLE 110/120V 60HZ and 220/240V 50HZ - MORE PRODUCTS AVAILABLE UPON REQUEST

Miele

PW 6065 WASHER
+ PT 7136 DRYER



Codes
MM MIE PW6065
MM MIE PT7136

Machine	PW 6065 Washer	PT 7136 Dryer
Load Capacity	15 lbs/6.5 kg	15 lbs/6.5 kg
Machine Exterior - Front	Stainless Steel	Stainless Steel
Machine Exterior - Lid and Sides	Stainless Steel	Stainless Steel
Machine Dimensions	33.5" H	33.5" H
	23.5" W	23.5" W
	27.6" D	27.6" D
Drum Volume	17 gallon/59 liter	34 gallon/130 liter
Drum Dimensions	18.9" Ø	22" Ø
	11.8" deep	22" deep
Door Opening	11.8" Ø	-
Drum Type	Honeycomb™ Stainless Steel	Honeycomb™ Stainless Steel
Spin Speed	1400 RPM	-
G-force	526	-
Control Type	Profitronic Plus	Profitronic Plus
Net Weight	256.5 lbs/116.3 kg	130 lbs/58 kg
Electrical Connection (Standard)	2 AC 208 V 60 Hz	2 AC 208 V 60 Hz
Electrical Connection (Optional)	2 AC 240 V 60 Hz*	3 AC 208 V 60 Hz
Fuse Rating (Standard)	2AC - 2 x 20 (208 V)	2 AC - 2 x 30
Fuse Rating (Optional)	2 AC - 2 x 30 (240 V)*	3 AC - 3 x 30
Total Rated Load (Standard)	4.0 kW (208 V)	4.3 kW
Total Rated Load (Optional)	5.0 kW (240 V)*	6.4 kW
Required Water Flow Pressure	Min - 30 psi	-
	Max - 145 psi	-
Maximum Floor Load	2022 N	-
Water Connection	3/4"	-
Cold Water Line	1	-
Warm Water Line	1	-
Drain Line	3/4" vented	-
Vent Diameter	-	4"
Evaporation Rate	-	3.4 fl oz/minute
Electrical Approvals	-	-

GET APP!



Easy, fast and reliable. The yachting world is yours for the taking.

Miele

**PW 6101 WASHER
+ PT 7251 DRYER**



Codes

MM MIE PW6101
MM MIE PT7251

Machine	PW 6101 Washer	PT 7251 Dryer
Load Capacity	23 lbs/10 kg	23 lbs/10 kg
Machine Exterior - Front	Stainless Steel	Stainless Steel
Machine Exterior - Lid and Sides	Octoblu powder coat, galvanized	Octoblu powder coat, galvanized
Machine Dimensions	55.12" H (w/ base)	55.12" H
	31.65" W	35.67" W
	36.42" D	32.91" D
Drum Volume	26.4 gallon/100 liter	66 gallon/250 liter
Drum Dimensions	23.2" Ø	33.5" Ø
	14.4" deep	17.6" deep
Door Opening	14.6" Ø	-
Drum Type	Honeycomb™ Stainless Steel	Honeycomb™ Stainless Steel
Spin Speed	1200 RPM	-
G-force	475	-
Control Type	Profitronic M	Profitronic M
Net Weight	714 lbs/324 kg	346 lbs/157 kg
Electrical Connection (Standard)	3 AC 208 / 230 V 60 Hz	3 AC 208 / 230 V 60 Hz
Fuse Rating (Standard)	3 x 25	3 x 50
Total Rated Load (Standard)	11 kW	14.3 kW
Required Water Flow Pressure	Min - 30 psi	-
	Max - 145 psi	-
Maximum Floor Load	3970 N	-
Water Connection	3/4"	-
Cold Water Line	3	-
Warm Water Line	1	-
Drain Line	3" vented	-
Vent Diameter	-	6"
Evaporation Rate	-	7.5 fl oz/minute
Electrical Approvals	Commercial & Residential	Commercial & Residential



Miele

**PW 6161 WASHER
+ PT 8407 DRYER**



Codes

MM MIE PW6111
MM MIE PT8407

Machine	PW 6131 Washer	PT 8337 Dryer
Load Capacity	36 lbs/16 kg	36 lbs/16 kg
Machine Exterior - Front	Stainless Steel	Stainless Steel
Machine Exterior - Lid and Sides	Octoblu powder coat, galvanized	Octoblu powder coat, galvanized
Machine Dimensions	55.12" H (w/ base)	55.12" H
	36.38" W	35.67" W
	39.65" D	45.2" D
Drum Volume	42.2 gallon/160 liter	106 gallon/400 liter
Drum Dimensions	26.7" Ø	33.5" Ø
	17.3" deep	28" deep
Door Opening	14.6" Ø	-
Drum Type	Honeycomb™ Stainless Steel	Honeycomb™ Stainless Steel
Spin Speed	1150 RPM	-
G-force	500	-
Control Type	Profitronic M	Profitronic M
Net Weight	1001 lbs/454 kg	421 lbs/191 kg
Electrical Connection (Standard)	3 AC 208 / 230 V 60 Hz	3 AC 208 / 230 V 60 Hz
Fuse Rating (Standard)	3 x 50	3 x 65
Total Rated Load (Standard)	18 kW	23.8 kW
Required Water Flow Pressure	Min - 30 psi	-
	Max - 145 psi	-
Maximum Floor Load	5469 N	-
Water Connection	3/4"	-
Cold Water Line	3	-
Warm Water Line	1	-
Drain Line	3" vented	-
Vent Diameter	-	6"
Evaporation Rate	-	12 fl oz/minute
Electrical Approvals	Commercial & Residential	-

Miele

**PW 6131 WASHER
+ PT 8337 DRYER**



Codes

MM MIE PW6131
MM MIE PT8337

Machine	PW 6131 Washer	PT 8337 Dryer
Load Capacity	30 lbs/13 kg	30 lbs/13 kg
Machine Exterior - Front	Stainless Steel	Stainless Steel
Machine Exterior - Lid and Sides	Octoblu powder coat, galvanized	Octoblu powder coat, galvanized
Machine Dimensions	55.12" H (w/ base)	55.12" H
	31.65" W	35.67" W
	39.57" D	40.12" D
Drum Volume	34.3 gallon/130 liter	85.9 gallon/325 liter
Drum Dimensions	23.2" Ø	33.5" Ø
	18.7" deep	22.9" deep
Door Opening	14.6" Ø	-
Drum Type	Honeycomb™ Stainless Steel	Honeycomb™ Stainless Steel
Spin Speed	1100 RPM	-
G-force	400	-
Control Type	Profitronic M	Profitronic M
Net Weight	754 lbs/342 kg	364 lbs/165 kg
Electrical Connection (Standard)	3 AC 208 / 230 V 60 Hz	3 AC 208 / 230 V 60 Hz
Fuse Rating (Standard)	3 x 50	3 x 50
Total Rated Load (Standard)	17 kW	18.8 kW
Required Water Flow Pressure	Min - 30 psi	-
	Max - 145 psi	-
Maximum Floor Load	4304 N	-
Water Connection	3/4"	-
Cold Water Line	3	-
Warm Water Line	1	-
Drain Line	3" vented	-
Vent Diameter	-	6"
Evaporation Rate	-	10 fl oz/minute
Electrical Approvals	Commercial & Residential	-

Miele

**PW 6201 WASHER
+ PT 8507 DRYER**



Codes

MM MIE PW6201
MM MIE PT8507

Machine	PW 6201 Washer	PT 8507 Dryer
Load Capacity	45 lbs/20 kg	55 lbs/25 kg
Machine Exterior - Front	Stainless Steel	Stainless Steel
Machine Exterior - Lid and Sides	Octoblu powder coat, galvanized	Octoblu powder coat, galvanized
Machine Dimensions	64.57" H (w/ base)	64.57" H
	36.38" W	47.48" W
	40.94" D	39.45" D
Drum Volume	52.8 gallon/200 liter	132 gallon/500 liter
Drum Dimensions	26.7" Ø	43.3" Ø
	21.7" deep	20.8" deep
Door Opening	14.6" Ø	-
Drum Type	Honeycomb™ Stainless Steel	Honeycomb™ Stainless Steel
Spin Speed	1100 RPM	-
G-force	460	-
Control Type	Profitronic M	Profitronic M
Net Weight	1091 lbs/495 kg	525 lbs/238kg
Electrical Connection (Standard)	3 AC 208 / 230 V 60 Hz	3 AC 208 / 230 V 60 Hz
Fuse Rating (Standard)	3 x 50	3 x 80
Total Rated Load (Standard)	19.3 kW	28.3 kW
Required Water Flow Pressure	Min - 30 psi	-
	Max - 145 psi	-
Maximum Floor Load	6067 N	-
Water Connection	3/4"	-
Cold Water Line	3	-
Warm Water Line	1	-
Drain Line	3" vented	-
Vent Diameter	-	6"
Evaporation Rate	-	15 fl oz/minute
Electrical Approvals	Commercial & Residential	-

